

SANITARY WARE SPECIFICATION SHEET

Model: M24ACS

Descriptions: Mediclinics "Dualflow® Plus" (Spain) ABS sensor operated hand dryer in satin finish 410 km/h

Dimensions: L320 x W228 x H665 mm

Material : ABS plastics

Manufacturer: Mediclinics, S.A. (Spain)

Finish : Satin finish



* All information of the above is for the reference only. No prior notice is made if any changes.



Ka Shing Enterprise (H.K.) Ltd.

ROOM 1706 NEW TERRITORIES TSUEN WAN HO LIK CENTRE, 66A SHA TSUI ROAD
Tel:26280661 Fax: 24902700
Email: project@kashingehk.com
Website: www.kashingehk.com

Ivan / Horace 26280661

E/ project@kashingehk.com

W/ <https://www.kashingehk.com/>



M24A
White Finish



M24AB
Black Finish



M24ACS
Satin finish

General description

- Automatic double-sided high-speed hand dryer with maintenance-free brushless motor, ensuring long lifespan, ideal for an intensive usage and, therefore, suitable for high traffic facilities.
- Water collection area with no-splash design, which prevents the residual water from drying hands to end up on the floor, thus keeping it dry and preventing slipping hazard.
- Dualflow Plus is a touchless hand dryer because it starts and stops automatically thanks to a pair of IR sensors in both sides of the device for automatic hands detection, creating, therefore, the optimal hygienic conditions because it confines the growth of bacteria.
- It incorporates an HEPA media filter that filters the solid particles in suspension (pollen, dust mites, tobacco smoke, etc.) significantly improving air quality.
- Proven antimicrobial and antibacterial protection using silver ion technology from Biocote® , providing a total antimicrobial solution. These ions inhibit the reproduction of micro-organisms in the product throughout its lifetime.
- It can be delivered, optionally, with an ionizer ("Ion Hygienic" technology) that purifies the air through negatively charged particles (anions), eliminating most of the particles and germs carried by the air, making it more healthy and pure.
- Universal voltage. It works indistinctly at electrical voltages of 100-120 V or 220-240 V.
- Motor power adjustable, allowing electricity consumption to be regulated (between 250 and 1,100W).
- Maximum air speed 410 Km/h.
- Dries hands in only 8 / 15 seconds.
- 30 second maximum continuous running time.
- Lowest noise level in its category. (62 dBA in ECO mode).



Heating element
ON/OFF switch
Option to turn
ON/OFF the heating
element



HEPA filter media
cleans the air stopping the
particles of dirt, dust,
bacteria, pollen, etc. Clean
and fresh air.



Heating element
For a maximum comfort

Technical Specifications

Voltage	100 - 240V
Frequency	50/60Hz
Electrical Isolation	Class I
Total power	250 - 1,100W
Consumption	1.3 - 4.8A
Motor power	900W
Rpm	17,600 - 27,600
Heating element power	200W or 0W (ON/OFF switch)
Dimensions	665x320x228 mm
Weight	8.5Kg
Cover thickness	3mm
Drying time	8-15sec
Effective airflow	101 - 177 m ³ /h (1,680 - 2,950 l/min)
Air velocity	234 - 410Km/h
Air temperature (10 cm distance/23°C)	38°C
Sound pressure (at 2m)	62 - 72dBA
Protection rating	IPX4



BRUSHLESS MOTOR

Brushless motors are becoming more popular and they are gaining a lot of acceptance in recent years. They are used in leading industrial sectors such as automotive, aerospace and medical, or in automation and instrumentation equipment.

The key point of these motors is the lack of brushes. This avoids the problem of friction between brushes and the rotor commutator and for that reason their life span is much longer than that of a brush motor.

Precisely the life span of our extremely durable high-speed Class F brushless motor is > 5,000 hours.

Other advantages of our brushless DC motor, apart from its high life span, are:

- greater efficiency (less heat loss)
- higher performance
- maintenance free (no brushes to replace)
- less noise during operation
- higher speed range
- lower electrical noise (less interference in other circuits).



Ka Shing Enterprise (H.K.) Ltd.

ROOM 1706 NEW TERRITORIES TSUEN WAN HO LIK CENTRE, 66A SHA TSUI ROAD
Tel:26280661 Fax: 24902700
Email: project@kashingehk.com
Website: www.kashingehk.com

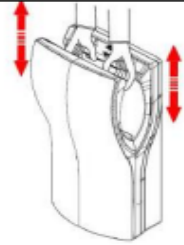
Ivan / Horace 26280661

E/ project@kashingehk.com

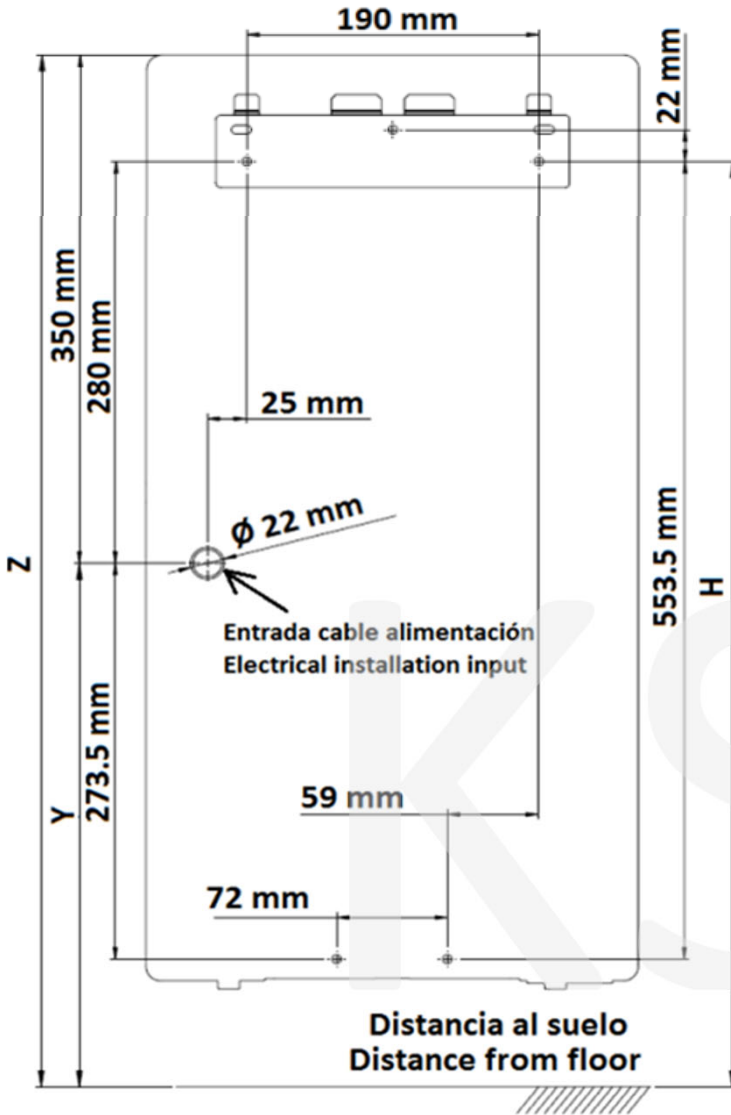
W/ <https://www.kashingehk.com/>

Operation



Place the hands between the air outflow valves, inside the hand dryer. The dryer will start automatically, and go on with no interruption as long as the hands are kept in the detection range of the sensor. Move the hands vertically in order to dry them completely. The appliance will stop 2 seconds after the hands are removed from the airflow.



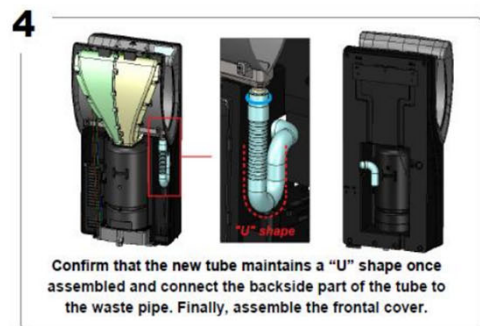
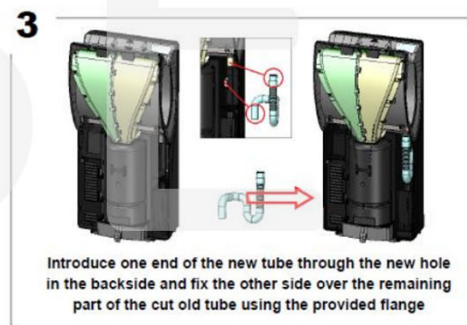
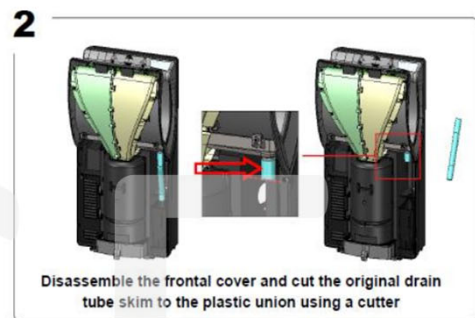
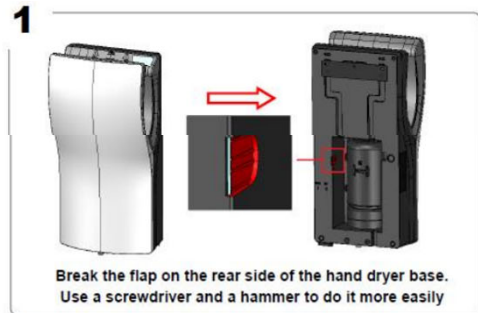
Mounting



Recommended heights distance from the floor

		
Z =	92 cm (36 1/4")	87 cm (34 1/4")
H =	85 cm (33 1/2")	80 cm (31 1/2")
Y =	57 cm (22 1/2")	52 cm (20 1/2")

Connection to the waste pipe



Ka Shing Enterprise (H.K.) Ltd.

ROOM 1706 NEW TERRITORIES TSUEN WAN HO LIK CENTRE, 66A SHA TSUI ROAD
Tel:26280661 Fax: 24902700
Email: project@kashinghk.com
Website: www.kashinghk.com

Ivan / Horace 26280661

E/ project@kashinghk.com

W/ <https://www.kashinghk.com/>

Zertifikat

Certificate



Zertifikat Nr. *Certificate No.*
S 60146584

Blatt *Sheet*
0001

Ihr Zeichen <i>Client Reference</i>	Unser Zeichen <i>Our Reference</i>	Längstens gültig bis <i>Latest expiration date</i>	<i>(day/mo/yr)</i>
	0001--28118753 001	27.02.2025	

Genehmigungsinhaber *License Holder*
Mediclinics, SA
Industria, 54
08025 Barcelona
Espanya

Fertigungsstätte *Manufacturing Plant*
Mediclinics S.A.
P.I. Can Oller - c/Catalunya, 9
08130 Sta. Perp. de Mogoda
Spagna

Prüfzeichen *Test Mark*



www.tuv.com
ID 1111220703

Geprüft nach *Tested acc. to*

EN 60335-1:2012+A11+A13
EN 60335-2-23:2003+A1+A11+A2
AfPS GS 2019:01 PAK Par. 3.1

**Zertifiziertes Produkt (Geräteidentifikation)
*Certified Product (Product Identification)***

**Lizenzentgelte - Einheit
*License Fee - Unit***

Händetrockner (Hand Dryer)

Bezeichnung: (Models)	M24A ; M24ACS ; M24AB ; M24AX	12
Nennaufnahme: (Rated input)	1100 W	
Nennspannung: (Rated voltage)	AC 100-240 V ; 50/60 Hz	
Schutzart: (Prot. degree)	IP X4	
Schutzklasse : (Protection Class)	I	
Markenzeichen: (Trademark)	MCLS or Mediclinics	

ANLAGE (Appendix): 1.0

Dem Zertifikat liegt unsere Prüf- und Zertifizierungsordnung zugrunde.
Produkt und Fertigungsstätte erfüllen § 20 und § 21 des
Produktsicherheitsgesetzes.

*This certificate is based on our Testing and Certification Regulation.
Product and production fulfill par § 20 and § 21 of the
Product Safety Law.*

TÜV Rheinland LGA Products GmbH, Tillystraße 2, 90431 Nürnberg

Tel.: +49 221 806-1371 e-mail: cert-validity@de.tuv.com
Fax: +49 221 806-3935 http://www.tuv.com/safety

Ausstellungsdatum *Date of Issue* : 28.02.2020 (day/mo/yr)



12

Zertifizierungsstelle
(Signature)
Dipl.-Ing. J. Höhne



Ka Shing Enterprise (H.K.) Ltd.

ROOM 1706 NEW TERRITORIES TSUEN WAN HO LIK CENTRE, 66A SHA TSUI ROAD
Tel: 26280661 Fax: 24902700
Email: project@kashingehk.com
Website: www.kashingehk.com



Ivan / Horace 26280661

E/ project@kashingehk.com

W/ https://www.kashingehk.com/



DECLARACION DE CONFORMIDAD
CONFORMITY DECLARATION
DÉCLARATION DE CONFORMITE
ZUSTIMMUNGSERKLÄRUNG
DECLARAÇÃO DE CONFORMIDADE
DICHIARAZIONE DI CONFORMITÀ

Directivas de aplicación / Application Directives / Directives d'application / Verwendungsrichtlinien / Diretrizes de aplicações / Direttive di applicazione:	2014/35/EU, 2014/30/EU & 2011/65/EU INCLUDING AMENDMENTS
Conforme a las normas / According to the standards / Selon les normes / Den Normen gemäss / De conformidada com as normas / Conforme alle norme:	<p>Electric safety Standards (LVD)</p> <p>IEC 60335-1:2010 (Fifth Edition) + A1:2013 + A2:2016 in conjunction with IEC 60335-2-23:2016 + A1:2019 IEC 62233:2005</p> <p>Electric safety standards (LVD) European equivalents:</p> <p>EN 60335-2-23:2003 + A1:2008 + A11:2010 + A2:2012 used in conjunction with EN 60335-1:2012 (EN 62233:2008 (incl. Corr.:2008)+A11+A13 AfPs GS 2019:01 PAK Par 3.1</p> <p>Electromagnetic compatibility (EMC)</p> <p>EN 55014-1:2017; EN 55014-2:2015 EN 61000-3-2:2014; EN 61000-3-3:2013; CISPR 14-1:2016; CISPR 14-2:2015 IEC 61000-3-2:2018; IEC 61000-3-3:2013+AMD1:2017</p>
Fabricante / Manufacturer / Fabricant / Hersteller / Produttore:	Mediclinics, S.A.
Dirección del fabricante / Address of the manufacturer / Adresse du Fabricant / Adresse des Herstellers / Endereço do fabricante / Indirizzo del produttore:	c/ Industria, 54, 08025 Barcelona (SPAIN)
Tipo de aparatos / Type of appliance / Genre d'appareils / Type der Geräte / Tipo de aparelhos / Tipo apparecchio:	Secadores de Manos / Hand dryers / Seche-Mains / Händetrockner / Secador de Mãos / Ascugamani
Referencia de modelo / Reference of the model / Référence du modèle / Modell-Referenz / Modello:	<p>M24A, M24ACS, M24AB, M24AX**</p> <p><i>**Also included within this certificate versions with ionizer system (-I or -ION) and drain pipe (-D or "-DES).</i></p>
<ul style="list-style-type: none"> - The subject of the aforementioned declaration complies with the relevant Union harmonization legislation. - El objeto de la declaración descrita anteriormente es conforme con la legislación de armonización pertinente de la Unión. - The object of the declaration described above is in conformity with the relevant Union harmonisation legislation. - L'objet de la déclaration décrit ci-dessus est conforme à la législation d'harmonisation de l'Union applicable. - Der oben beschriebene Gegenstand der Erklärung erfüllt die einschlägigen Harmonisierungsrechtsvorschriften der Union. - O objeto da declaração acima descrito está em conformidade com a legislação de harmonização da União aplicável. - L'oggetto della dichiarazione di cui sopra è conforme alle pertinenti normativa di armonizzazione dell'Unione 	
En/In/À/Em/In:	Barcelona
Nombre/Name/Nom/Namen/Nome:	Alfredo Bueno
Cargo/Title/Poste/Posten/Incarico:	Responsable de Calidad/Quality Manager
Firmado/Signature/Unterschrift/Asinado/Firma.	
  <p>mediclinics C/ Catalunya, 9 - P. L. Con Ollar E-08110 Sta. Eulàdia de Noya Barcelona (Spain) Tel: +34 93 446 47 00 Fax: +34 93 574 93 39</p>	
QM - Alfredo Bueno 03/02/2022	



Ka Shing Enterprise (H.K.) Ltd.

ROOM 1706 NEW TERRITORIES TSUEN WAN HO LIK CENTRE, 66A SHA TSUI ROAD
Tel: 26280661 Fax: 24902700
Email: project@kashingehk.com
Website: www.kashingehk.com

Ivan / Horace 26280661

E/ project@kashingehk.com

W/ https://www.kashingehk.com/