

SANITARY WARE SPECIFICATION SHEET

Model: M14AB

Descriptions: Mediclinics "Dualflow® Plus" (Spain) ABS sensor operated hand dryer in black finish

Dimensions: L320 x W228 x H665 mm

Material : ABS plastics

Manufacturer: Mediclinics, S.A. (Spain)

Finish : Black Finish



* All information of the above is for the reference only. No prior notice is made if any changes.



Ka Shing Enterprise (H.K.) Ltd.

ROOM 1706 NEW TERRITORIES TSUEN WAN HO LIK CENTRE, 66A SHA TSUI ROAD
Tel:26280661 Fax: 24902700
Email: project@kashingehk.com
Website: www.kashingehk.com

Ivan / Horace 26280661

E/ project@kashingehk.com

W/ <https://www.kashingehk.com/>



M14A
White finish



M14AB
Black finish



M14ACS
Satin finish

General description

- The Dualflow Plus is a fast, energy efficient, ecologic, hygienic & stylish hand dryer, suitable for high traffic facilities.
- "Hands in" model, it has two pairs of IR sensors on both sides of the upper covers for instant hand detection.
- Maximum air speed 410 Km/h.
- Dries hands in only 10 / 15 seconds.
- Motor power adjustable, allowing electricity consumption to be regulated (between 420 and 1.500W).
- It incorporates a HEPA media filter that filters the solid particles in suspension (pollen, dust mites, tobacco smoke, etc.) significantly improving air quality.
- It can be delivered, optionally, with an ionizer ("Ion Hygienic" technology) that purifies the air through negatively charged particles (anions), eliminating most of the particles and germs carried by the air, making it more healthy and pure.
- Biocote® antimicrobial and antibacterial protection technology based on silver ions. These ions inhibit the reproduction of micro-organisms in the product throughout its lifetime.
- 30 seconds safety timer.
- Lowest noise level in its category. (62 dBA in ECO mode).
- Easy maintenance, it can be connected, optionally, directly to the main waste pipe of the bathroom to eliminate waste water from hand drying.

Components and materials

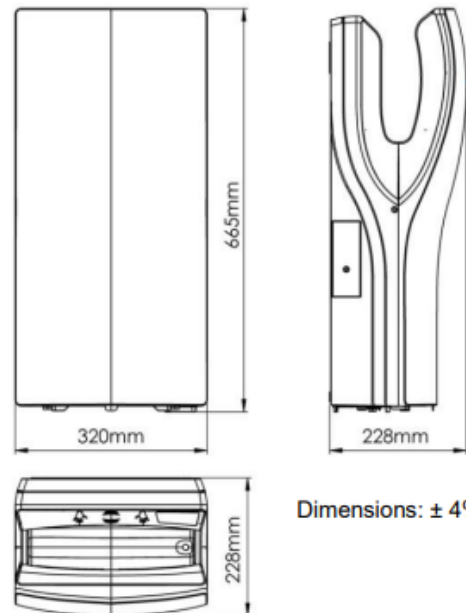
- **COVER:** made of high impact ABS.
- **BASE PLATE:** made of plastic PA6V0.
- **MOTOR:** high-speed class F universal brush motor, adjustable from 19000 to 30000 rpm, allowing electricity consumption and sound pressure to be regulated.
- **HEATING ELEMENT:** minimum waved wire NiCr heating element of 400W, mounted on a mica frame that incorporates a self-resetable thermal cut-off which disconnect the whole appliance. The heating element can be disconnected by means of an ON/OFF switch.
- **HEPA MEDIA FILTER:** cartridge that holds an HEPA media filter that filters suspended solid particles (pollen, dust mites, cigarette smoke, etc.), notably improving the air quality. Furthermore, this cartridge also contains an activated carbon filtering medium that neutralizes odours and absorbs fumes and gases, helping avoid bad odours.
- **IONIZER:** cleans and purifies the air through negative ions (anions) which remove microscopic particles from the air making it healthier (optional).
- **CONNECTION TO THE WASTE PIPE:** optionally, and by means of a kit for the connection to the waste pipe, code KITDESM14A, the Dualflow Plus can be connected directly to the waste pipe. Thus, the emptying of the water tank is eliminated because the water always goes directly to the waste pipe.

Technical Specifications

| | |
|--|--|
| Voltage | 220- 240 V |
| Frequency | 50/60 Hz |
| Electrical Isolation | Class I |
| Total power | 420 – 1,500 W |
| Consumption | 3.2 – 6.4 A |
| Motor power | 420 – 1,100 W |
| Rpm | 19,000 – 30,000 |
| Heating element power | 400 W (with "ON/OFF" switch) |
| Dimensions | 665x320x228 mm |
| Weight | 8.3 Kg |
| Cover thickness | 3 mm |
| Drying time | 8-15 sec. |
| Effective airflow | 94-165m ³ /h –1,570-2,750 l/min |
| Air velocity | 234 – 410 Km/h |
| Air temperature (10 cm distance/21°C) | 40 °C |
| Sound pressure (*) (at 2m) | 62 – 72 dBA |
| Protection rating | IPX4 |

(*) According UNE EN ISO 11201:2010 V2

Dimensions



Dimensions: ± 4%



Ka Shing Enterprise (H.K.) Ltd.

ROOM 1706 NEW TERRITORIES TSUEN WAN HO LIK CENTRE, 66A SHA TSUI ROAD
Tel:26280661 Fax: 24902700
Email: project@kashingehk.com
Website: www.kashingehk.com

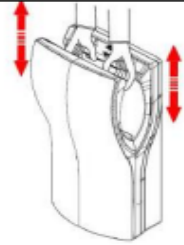
Ivan / Horace 26280661

E/ project@kashingehk.com

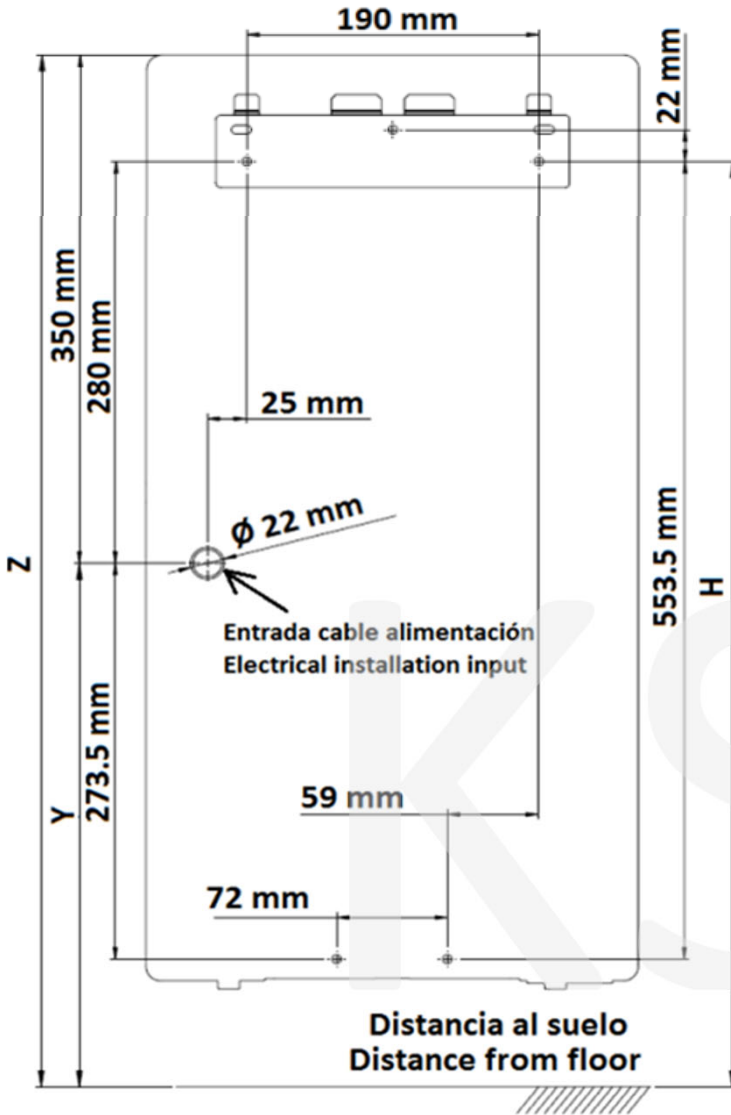
W/ <https://www.kashingehk.com/>

Operation

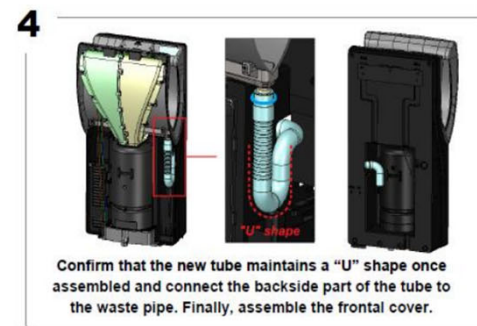
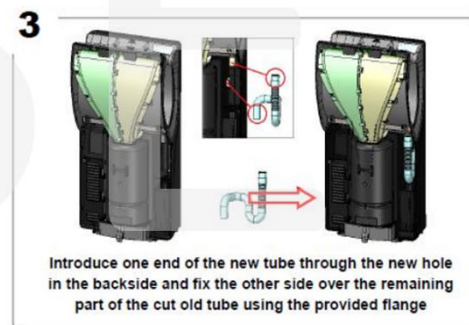
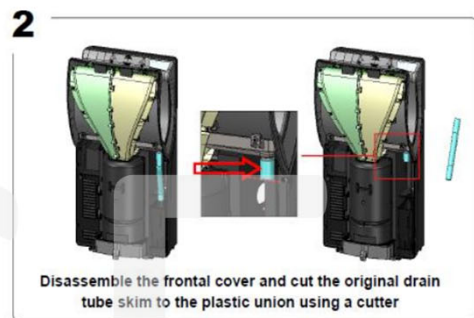
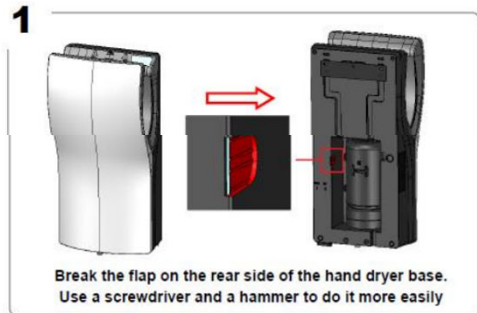
Place the hands between the air outflow valves, inside the hand dryer. The dryer will start automatically, and go on with no interruption as long as the hands are kept in the detection range of the sensor. Move the hands vertically in order to dry them completely. The appliance will stop 2 seconds after the hands are removed from the airflow.






Mounting



Connection to the waste pipe



Recommended heights distance from the floor

| | | | |
|-----|---|---|---|
| |  |  |  |
| Z = | 92 cm (36 1/4") | | 87 cm (34 1/4") |
| H = | 85 cm (33 1/2") | | 80 cm (31 1/2") |
| Y = | 57 cm (22 1/2") | | 52 cm (20 1/2") |



Ka Shing Enterprise (H.K.) Ltd.

ROOM 1706 NEW TERRITORIES TSUEN WAN HO LIK CENTRE, 66A SHA TSUI ROAD
 Tel: 26280661 Fax: 24902700
 Email: project@kashinghk.com
 Website: www.kashinghk.com

Ivan / Horace 26280661

E/ project@kashinghk.com

W/ <https://www.kashinghk.com/>