

## SANITARY WARE SPECIFICATION SHEET

Model: M19AC

Descriptions: Mediclinics "Machflow® Plus" (Spain) Stainless steel AISI 304 wall-mounted automatic hand dryer in bright finish

Dimensions: L213 x W170 x H330 mm

Material : Stainless steel

Manufacturer: Mediclinics, S.A. (Spain)

Finish : Bright Finish



\* All information of the above is for the reference only. No prior notice is made if any changes.



**Ka Shing Enterprise (H.K.) Ltd.**

ROOM 1706 NEW TERRITORIES TSUEN WAN HO LIK CENTRE, 66A SHA TSUI ROAD  
Tel:26280661 Fax: 24902700  
Email: project@kashingehk.com  
Website: www.kashingehk.com

Ivan / Horace 26280661

E/ project@kashingehk.com

W/ <https://www.kashingehk.com/>



M19A



M19AB



M19AC



M19ACS

### General description

- Sensor operated high-speed hand dryer with free-maintenance brushless motor, ensuring long lifespan, being ideal for an intensive usage.
- With a compact and very robust design, this hand dryer is energetically very efficient and sustainable, providing great energy savings and ultra-fast hand drying. Strongly recommended for high traffic places.
- Universal voltage – accepts 100-120 / 220-240 VAC input.
- It has an adjustable power motor that regulates energy consumption (between 250 and 1,100W) and provides a maximum air output speed of 340 km/h that dries your hands between 8 and 15 seconds.
- Machflow Plus can incorporate, optionally, a HEPA media filter that filters the solid particles in suspension (pollen, dust mites, tobacco smoke, etc.) significantly improving air quality.
- As a complement to the HEPA media filter, and also optionally, the Machflow Plus can incorporate an ionizer ("Ion Hygienic" technology) that cleans and purifies the air through the emission of anions, eliminating most of the germs and particles transported through the air, helping it to be purer and healthier.
- Optionally, it is also possible to incorporate a quick assembly / disassembly kit for the machine ("Plug-in" kit code KTP009) that allows you to install and uninstall the hand dryer easily, quickly and safely, making maintenance much more efficient and reducing your costs at the same time.
- New air concentrator nozzle which helps to channel better the airflow on the hands. Instead of blowing air all over the hands, it focuses the airflow for a more targeted drying. The narrower opening of the concentrator gives the airflow greater pressure on exit, boosting its speed and thus, making the hand drying process much more efficient. **Only available in models with ionizer "Ion Hygienic"**.
- It has an odor neutralizer, code RCPOM14 that aromatizes and deodorizes the environment thanks to its soft fragrance (optional).
- Machflow Plus is equipped with an automatic safety disconnection system that switches it off automatically after 30 seconds of continuous use.
- It is supplied as standard with all the elements to fix it to a brick wall.

### Technical Specifications

<b>Voltage</b>	100 - 120V / 220 - 240V
<b>Frequency</b>	50/60Hz
<b>Electrical Isolation</b>	Class I
<b>Total power</b>	250 – 1,100W
<b>Consumption</b>	1.3 – 4.8A
<b>Motor power</b>	900W
<b>Rpm</b>	17,600 – 27,600
<b>Heating element power</b>	200W or 0W (ON/OFF switch)
<b>Dimensions</b>	330x213x170 mm
<b>Weight</b>	5.5Kg
<b>Cover thickness</b>	1.5mm
<b>Drying time</b>	8-15sec
<b>Effective airflow</b>	101 - 177 m3/h (1,680 - 2,950 l/min)
<b>Air velocity</b>	220 – 340Km/h
<b>Air temperature (10 cm distance/23°C)</b>	42°C
<b>Sound pressure (*) (at 2m)</b>	67 – 74dBA
<b>Protection rating</b>	IP23



## BRUSHLESS MOTOR

Brushless motors are becoming more popular and they are gaining a lot of acceptance in recent years. They are used in leading industrial sectors such as automotive, aerospace and medical, or in automation and instrumentation equipment.

The key point of these motors is the lack of brushes. This avoids the problem of friction between brushes and the rotor commutator and for that reason their life span is much longer than that of a brush motor.

Precisely the life span of our extremely durable high-speed Class F brushless motor is > 5,000 hours.

Other advantages of our brushless DC motor, apart from its high life span, are:

- greater efficiency (less heat loss)
- higher performance
- maintenance free (no brushes to replace)
- less noise during operation
- higher speed range
- lower electrical noise (less interference in other circuits).



**Heating element ON/OFF switch**  
Option to turn ON/OFF the heating element



**HEPA filter media**  
cleans the air stopping the particles of dirt, dust, bacteria, pollen, etc. Clean and fresh air.



**Heating element**  
For a maximum comfort



## Ka Shing Enterprise (H.K.) Ltd.

ROOM 1706 NEW TERRITORIES TSUEN WAN HO LIK CENTRE, 66A SHA TSUI ROAD  
Tel:26280661 Fax: 24902700  
Email: project@kashingehk.com  
Website: www.kashingehk.com

Ivan / Horace 26280661

E/ project@kashingehk.com

W/ <https://www.kashingehk.com/>

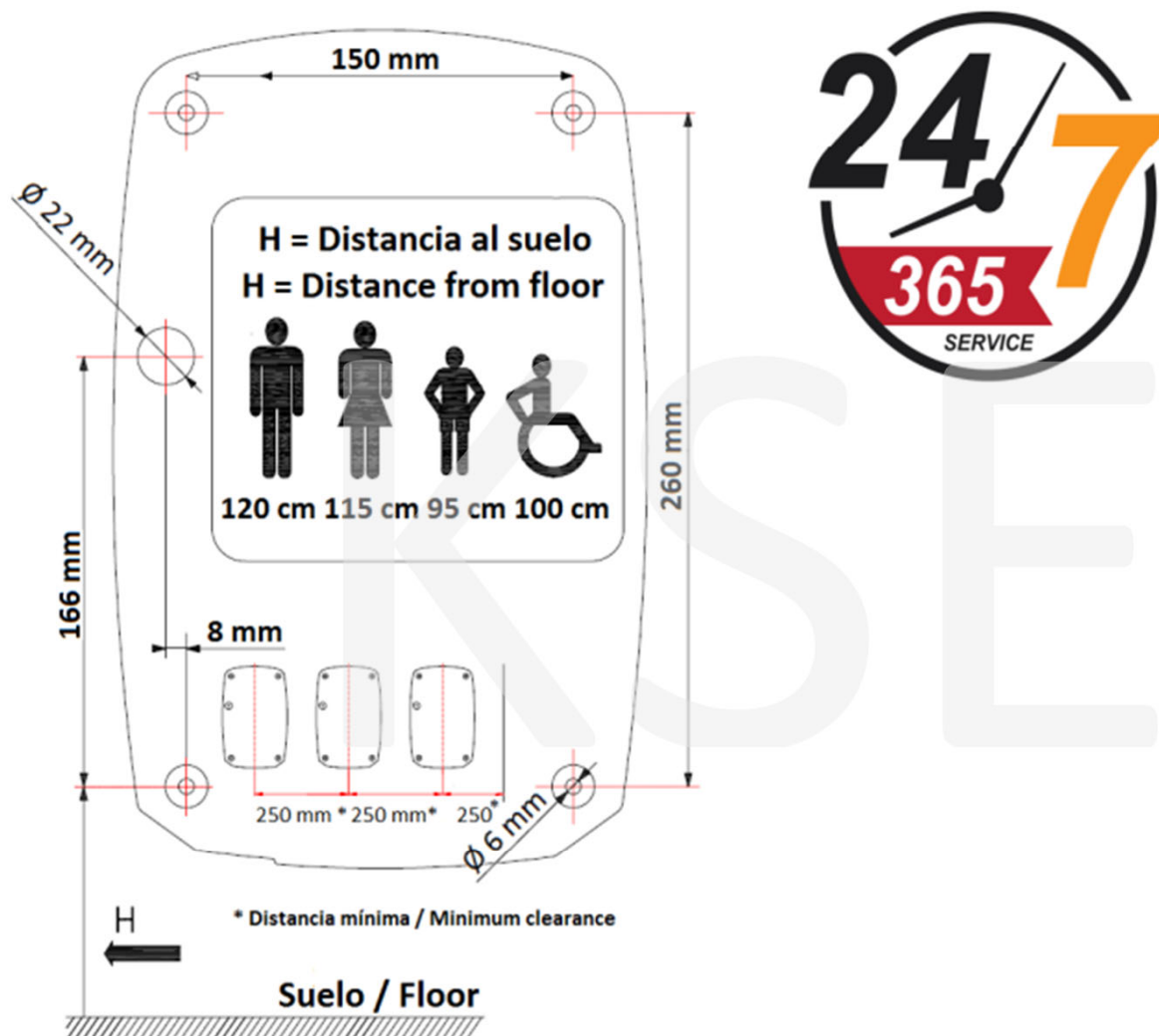
## Components and materials

- **COVER:** made of one piece without welding of steel (M19A... and M19AB...) or AISI 304 stainless steel (M19AC... and M19ACS...), 1.5 mm thick.
- **BASE PLATE:** made of PA6V0 fire resistant plastic. It incorporates 4 silent-blocks to cushion mechanical vibrations.
- **INTERIOR SET:** made of PA6V0 fire resistant plastic.
- **MOTOR:** extremely durable high-speed Class F brushless motor, maintenance free, with adjustable power, allowing electricity consumption and sound pressure to be regulated.
- **HEATING ELEMENT:** minimum waved wire NiCr heating element of 400W, mounted on a mica frame that incorporates a self-resetable thermal cut-off which disconnects the whole appliance. The heating element can be disconnected by means of a ON/OFF switch.
- **HANDS DETECTION SYSTEM:** contactless self-adjusting infrared hand detection sensor, which assures the ideal sensor range for the specific location will be set automatically. After to power the source connection, it must wait 10 seconds in order to allow the system to set the ideal sensor distance range. It has an automatic disconnection system after 30" of continuous use.
- **HEPA MEDIA FILTER:** which filters the solid particles in suspension (pollen, dust mites, tobacco smoke, etc.) significantly improving air quality (optional).
- **IONIZER:** cleans and purifies the air through negative ions (anions) that remove microscopic particles from the air and make it healthier (optional).
- **ODOR NEUTRALIZER:** aromatizes and deodorizes the environment through its soft fragrance (optional).

## OPERATION

Place the hands under the air outflow valve. The dryer will start automatically, and go on with no interruption as long as the hands are kept in the detection range of the sensor. The appliance will stop 2 seconds after the hands are removed from the airflow or 30 seconds after continuous working.

## MOUNTING



## Ka Shing Enterprise (H.K.) Ltd.

ROOM 1706 NEW TERRITORIES TSUEN WAN HO LIK CENTRE, 66A SHA TSUI ROAD  
Tel:26280661 Fax: 24902700  
Email: project@kashinghk.com  
Website: www.kashinghk.com

Ivan / Horace 26280661

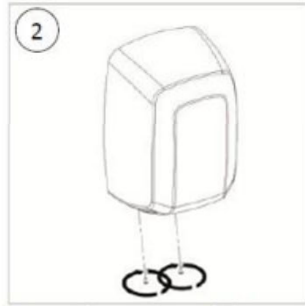
E/ project@kashinghk.com

W/ <https://www.kashinghk.com/>

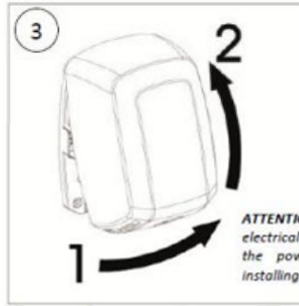




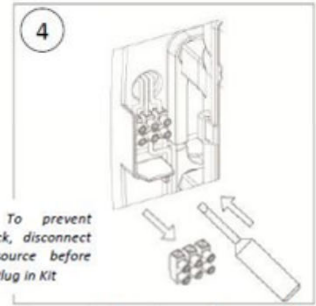
The Plug in Kit is compatible with the Machflow hand dryer and the Machflow hairdryer



Unscrew the cover screws (x2)



Remove the cover by a rotating movement

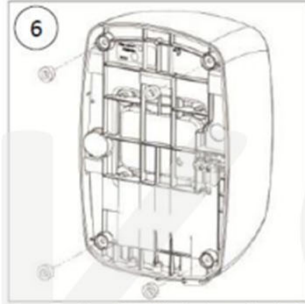


Disconnect the wires and remove the power strip

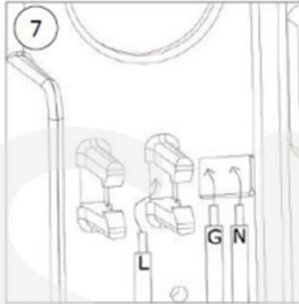
**ATTENTION:** To prevent electrical shock, disconnect the power source before installing the Plug in Kit



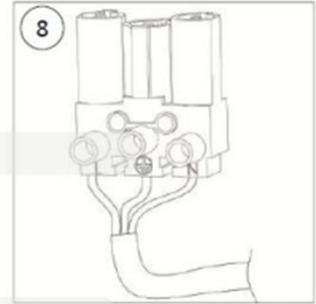
Unscrew the wall mount screws (x4)



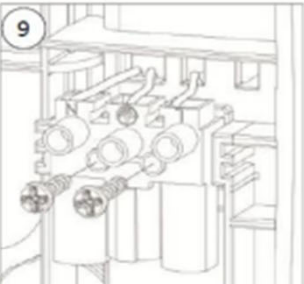
Remove the silent blocks from the back of the unit (x4)



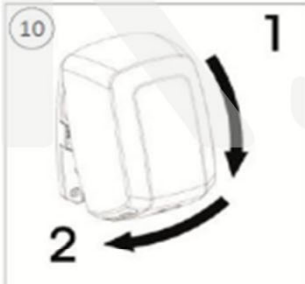
Route the wires through the holes to the back of the unit as shown on the picture



At the back of the unit, connect the wires to the fast connector following the engraved letters (N, L and Earth)



Fix the fast connector to the back of the unit using 2 screws



Close the dryer cover



Screw the cover fixing screws (x2)  
Your dryer is now ready to be used on a Plug-in base



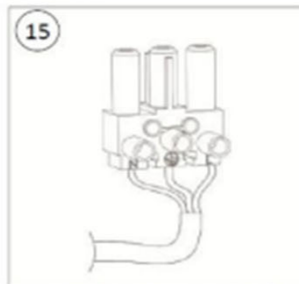
Same wall holes may be used for the Plug-in installation



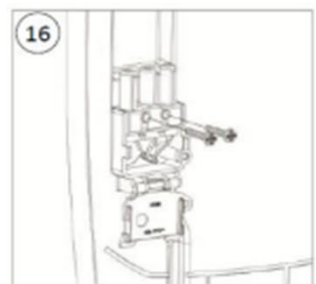
Route the wires through the Plug-in base as shown on the picture



Screw the Plug-in base to the wall(x4)



Connect the wires to the fast connector following the engraved



Fix the fast connector to the Plug-in base using 2 screws



Close the security cover

Your Plug-in base is now ready to be used with a Plug-in dryer



Mount the dryer over the Plug-in base with a front to back movement



Screw the safety screw

Your dryer is ready to be used



## Ka Shing Enterprise (H.K.) Ltd.

ROOM 1706 NEW TERRITORIES TSUEN WAN HO LIK CENTRE, 66A SHA TSUI ROAD  
Tel:26280661 Fax: 24902700  
Email: project@kashingehk.com  
Website: www.kashingehk.com

Ivan / Horace 26280661

E/ project@kashingehk.com

W/ <https://www.kashingehk.com/>

# Zertifikat

# Certificate



Zertifikat Nr. *Certificate No.*  
S 60139858

Blatt *Sheet*  
0001

Ihr Zeichen <i>Client Reference</i>	Unser Zeichen <i>Our Reference</i>	Längstens gültig bis <i>Latest expiration date</i>
	0001--28118717 001	17.10.2024 (day/mo/yr)

**Genehmigungsinhaber *License Holder***  
Mediclinics, SA  
Industria, 54  
08025 Barcelona  
Espanya

**Fertigungsstätte *Manufacturing Plant***  
Mediclinics S.A.  
P.I. Can Oller - c/Catalunya, 9  
08130 Sta. Perp. de Mogoda  
Spagna

## Prüfzeichen *Test Mark*



www.tuv.com  
ID 1111218816

## Geprüft nach *Tested acc. to*

EN 60335-1:2012+A11+A13  
EN 60335-2-23:2003+A1+A11+A2  
AfPS GS 2019:01 PAK Par. 3.1

**Zertifiziertes Produkt (Geräteidentifikation)**  
*Certified Product (Product Identification)*

**Lizenzentgelte - Einheit**  
*License Fee - Unit*

Händetrockner ( Hand Dryer )

Bezeichnung: M19A ; M19AC ; M19ACS ; M19AO ;  
(Models) M19AE ; M19AB ; M19AX

12

Nennaufnahme: 1100 W  
(Rated input)

Nennspannung: AC 100-240 V ; 50/60 Hz  
(Rated voltage)

Schutzart: IP23  
(Prot. degree)

Schutzklasse : I  
(Protection Class)

Markenzeichen: MCLS or Mediclinics  
(Trademark)

12

ANLAGE (Appendix): 1.0

Dem Zertifikat liegt unsere Prüf- und Zertifizierungsordnung zugrunde.  
Produkt und Fertigungsstätte erfüllen § 20 und § 21 des  
Produktsicherheitsgesetzes.  
*This certificate is based on our Testing and Certification Regulation.  
Product and production fulfill par § 20 and § 21 of the  
Product Safety Law.*

**TÜV Rheinland LGA Products GmbH, Tillystraße 2, 90431 Nürnberg**

Tel.: +49 221 806-1371 e-mail: cert-validity@de.tuv.com  
Fax: +49 221 806-3935 http://www.tuv.com/safety

**Ausstellungsdatum *Date of Issue* : 18.10.2019 (day/mo/yr)**



## Ka Shing Enterprise (H.K.) Ltd.

ROOM 1706 NEW TERRITORIES TSUEN WAN HO LIK CENTRE, 66A SHA TSUI ROAD  
Tel:26280661 Fax: 24902700  
Email: project@kashingehk.com  
Website: www.kashingehk.com

Ivan / Horace 26280661

E/ project@kashingehk.com

W/ https://www.kashingehk.com/