

## SANITARY WARE SPECIFICATION SHEET

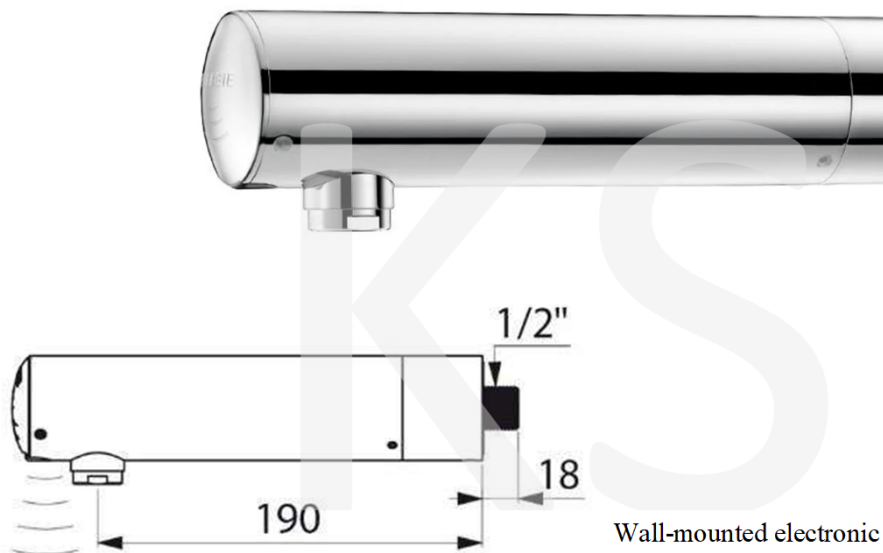
Model: 443006

Descriptions: Delabie (France) "Teipomic 3" Wall mounted electronic sensor tap with 6V Lithium batteries / Flow Rate : 6 litres per min

Dimensions: Refer to drawing

Material : Chrome Plated

Manufacturer: Delabie (France)



Total hygiene: no manual contact



90% water savings



Battery integrated into the body of the tap



Anti-bacterial proliferation duty flush



Wall-mounted electronic basin tap:

Battery-operated with integrated 123 6V Lithium batteries.

Reduced-stagnation solenoid valve and electronic unit integrated into the body of the tap.

Flow rate pre-set at 3 lpm at 3 bar, can be adjusted from 1.5 - 6 lpm.

Scale-resistant flow straightener.

Duty flush (~60 seconds every 24 hours after last use).

Active, infrared presence detection, sensor at the end of the spout optimises detection.

Chrome-plated solid brass body.

Cap fixed in place by 2 concealed screws, with pictogram to identify the sensor easily.

Wall-mounted, M1/2".

Ø 50mm, L. 190mm.

\* All information of the above is for the reference only. No prior notice is made if any changes.



**Ka Shing Enterprise (H.K.) Ltd.**

ROOM 1706 NEW TERRITORIES TSUEN WAN HO LIK CENTRE, 66A SHA TSUI ROAD

Tel:26280661 Fax: 24902700

Email: project@kashingehk.com

Website: www.kashingehk.com

Ivan / Horace 26280661

E/ project@kashingehk.com

W/ <https://www.kashingehk.com/>