

## SANITARY WARE SPECIFICATION SHEET

Model: E85A

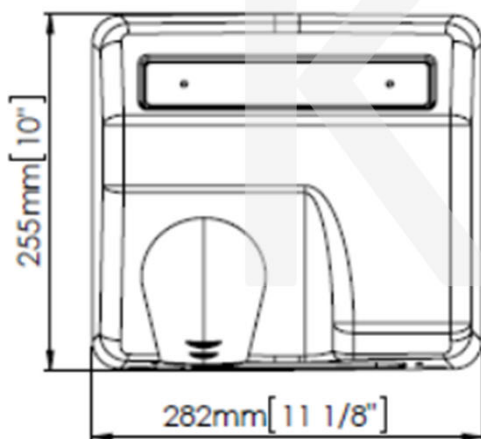
Descriptions: Mediclinics "Saniflow® " (Spain) Cast iron wall-mounted automatic hand dryer with rotating nozzle in white enamelled coating finish

Dimensions: L282 x W215 x H255 mm

Material : Cast Iron

Manufacturer: Mediclinics, S.A. (Spain)

Finish : White Enamelled Coating Finish



\* All information of the above is for the reference only. No prior notice is made if any changes.



**Ka Shing Enterprise (H.K.) Ltd.**

ROOM 1706 NEW TERRITORIES TSUEN WAN HO LIK CENTRE, 66A SHA TSUI ROAD  
Tel:26280661 Fax: 24902700  
Email: project@kashingehk.com  
Website: www.kashingehk.com

Ivan / Horace 26280661

E/ project@kashingehk.com

W/ <https://www.kashingehk.com/>



**E85A**

**General description**

- Saniflow® automatic hand dryer is the rotating nozzle dryer that is most widely used in the world, regardless of the location to be fitted.
- These machines also feature easy maintenance, low noise levels and a high level of user safety. Together with an accurate design of components, SANIFLOW dryers boast the most powerful airflow in the world, which, combined with a comfortable drying temperature, reduces drying times to a minimum.
- Available in a 6 mm. thick cast iron cover, white porcelain enameled coating, this hand dryer is ideal for Heavy traffic Bathrooms.
- Thus, these are proven models with a long durability and complete reliability, with anti-vandalism features and designed to be installed in high traffic of people such as airports, large hotels, sport centers, large recreational areas and large official organizations, among others.

**Components & materials:**

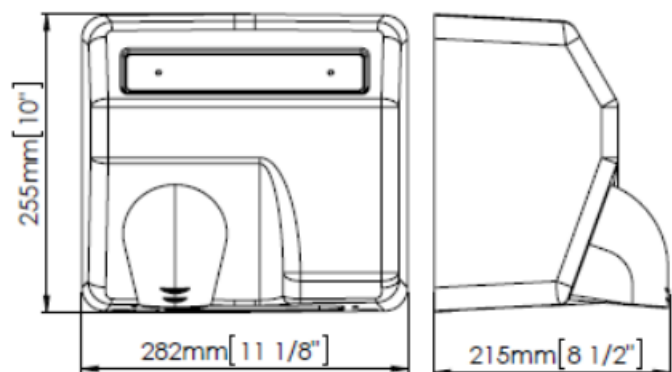
- **E85A:** 6 mm. thick cast iron cover, white porcelain enameled coating.
- One-piece cast iron cover fixed to the base by means of 2 vandal-proof lock screws and lock with special Saniflow ® wrench.
- Base in aluminium, 3 mm thick, with 4 Ø 8 mm holes for wall mounting.
- Fire resistant plastic UL 94-VO fan scroll.
- Universal brush motor, 5.500 rpm, F class, which includes a safety thermal cut-off.
- Aluminium centrifugal double symmetrical inlet fan wheel.
- Waved wire NiCr heating element on a mica frame that incorporates a thermal cut-off.
- 360° Nozzle in chrome plated Zamak.
- Electronic detection sensor by infrared beams.

**Technical Specifications:**

<b>Voltage</b>	220- 240 V
<b>Frequency</b>	50/60 Hz
<b>Electrical Isolation</b>	Class I
<b>Total power</b>	2,250 W
<b>Consumption</b>	10 A
<b>Motor power</b>	250 W
<b>Rpm</b>	5,500
<b>Heating element power</b>	2,000 W
<b>Dimensions</b>	255x282x215 mm.
<b>Weight</b>	11.5 Kg
<b>Cover thickness</b>	6 mm
<b>Drying time</b>	29 sec.
<b>Air velocity</b>	100 Km/h
<b>Air temperature (10 cm distance/21°C)</b>	50 °C
<b>Sound pressure (*) (at 2m)</b>	68 dBA
<b>Protection rating</b>	IP21

(\*) According to UNE EN ISO 11201:2010 V2 standard.

**Dimensions:**



Dim. +/-4%



**Ka Shing Enterprise (H.K.) Ltd.**

ROOM 1706 NEW TERRITORIES TSUEN WAN HO LIK CENTRE, 66A SHA TSUI ROAD  
 Tel:26280661 Fax: 24902700  
 Email: project@kashingehk.com  
 Website: www.kashingehk.com

Ivan / Horace 26280661

E/ project@kashingehk.com

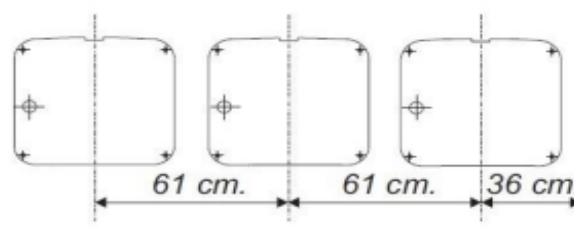
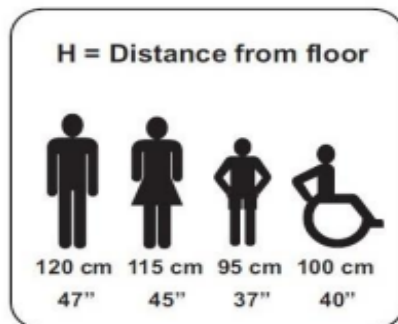
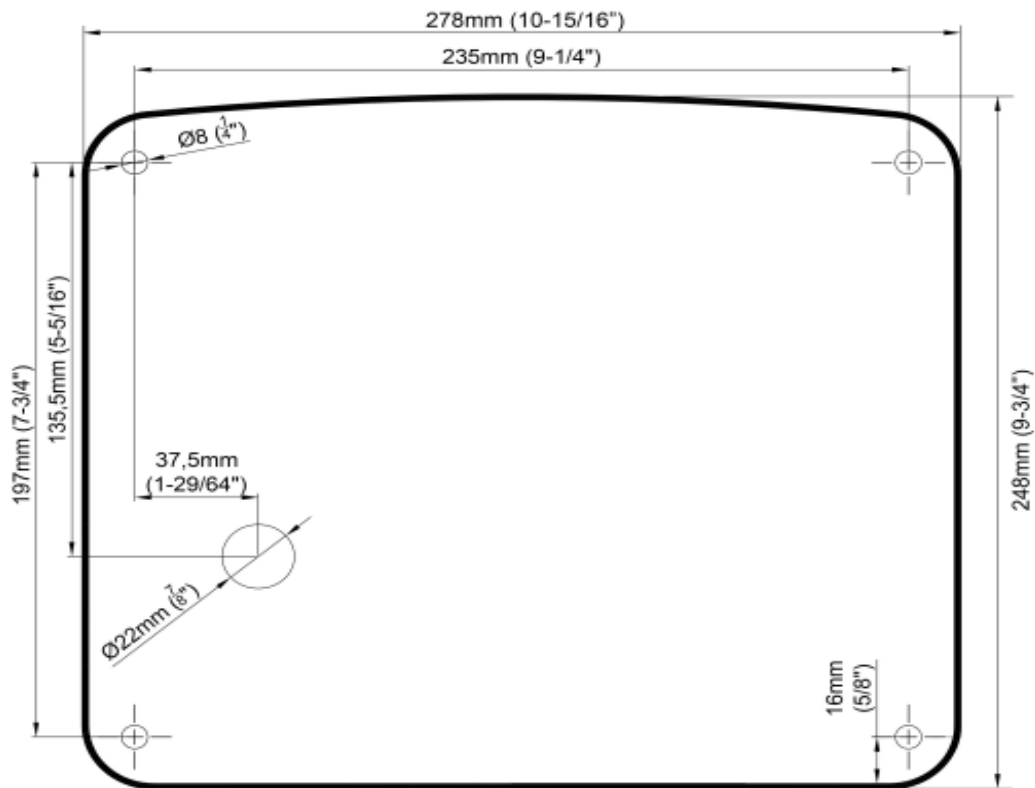
W/ https://www.kashingehk.com/

## Operation

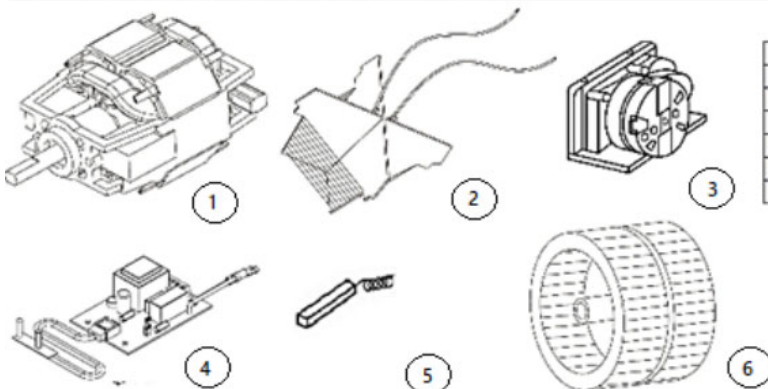
Place the hands under the rotating nozzle. The dryer will start automatically, and go on with no interruption as long as the hands are kept in the detection range of the sensor. The appliance will stop 2 seconds after the hands are removed from the airflow.

## Mounting

### Recommended heights distance from the floor



## BREAKDOWN LIST OF BASIC PARTS



COMPONENT	NUMBER	CODE
Motor	1	RC94748
Heating element	2	RC95760
Timer	3	RC95730
Sensor	4	RC95600-CE
Coal brushes set	5	RC95749
Fan wheel	6	RC95777



## Ka Shing Enterprise (H.K.) Ltd.

ROOM 1706 NEW TERRITORIES TSUEN WAN HO LIK CENTRE, 66A SHA TSUI ROAD  
 Tel:26280661 Fax: 24902700  
 Email: project@kashingehk.com  
 Website: www.kashingehk.com

Ivan / Horace 26280661

E/ project@kashingehk.com

W/ <https://www.kashingehk.com/>