

## SANITARY WARE SPECIFICATION SHEET

Model: M03AC

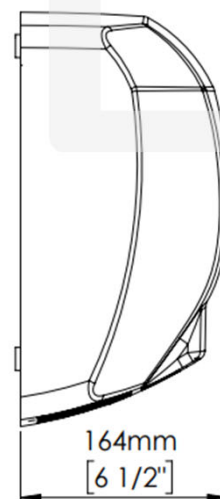
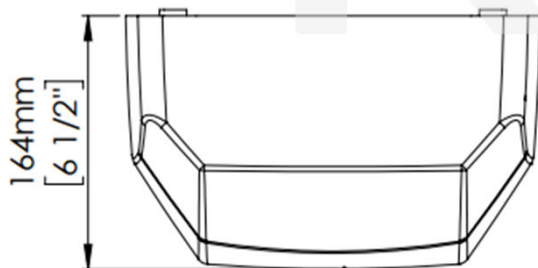
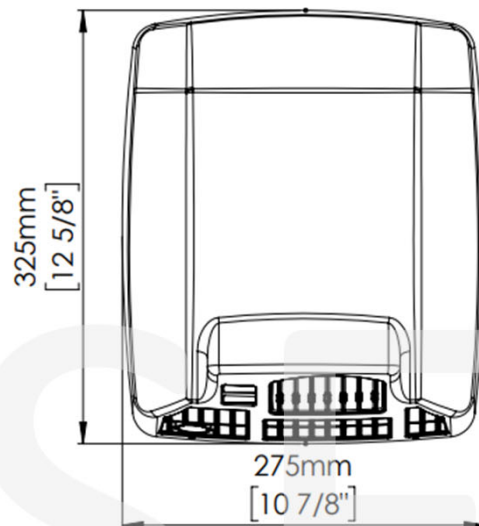
Descriptions: Mediclinics "Mediflow® " (Spain) Stainless steel AISI 304 wall-mounted hand dryer sensor operated in bright finish

Dimensions: L275 x W164 x H325 mm

Material : Stainless steel

Manufacturer: Mediclinics, S.A. (Spain)

Finish : Bright Finish



\* All information of the above is for the reference only. No prior notice is made if any changes.



**Ka Shing Enterprise (H.K.) Ltd.**

ROOM 1706 NEW TERRITORIES TSUEN WAN HO LIK CENTRE, 66A SHA TSUI ROAD  
Tel:26280661 Fax: 24902700  
Email: project@kashingehk.com  
Website: www.kashingehk.com

Ivan / Horace 26280661

E/ project@kashingehk.com

W/ <https://www.kashingehk.com/>



M03A



M03AB



M03AC



M03ACS

### General description

- Mediflow® Basic hand dryers automatically operated are characterized by their power and ruggedness. They are manufactured according to the highest quality and safety standards using, as for example, safety thermal limiters (in the heating element and in the motor).
- Mediflow® solutions are proven long lasting and completely reliable models. Versatile hand dryers with anti-vandalism features and designed to be installed in areas with a large traffic of people such as: airports, large hotels, sports centers, large recreational areas and official organizations among others.

### Components & materials:

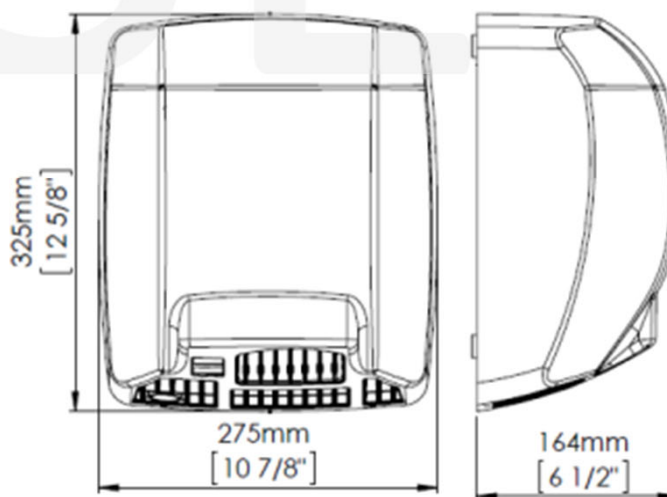
- **M03A:** Steel one-piece cover, white Epoxy painted, 1.5 mm. thick.
- **M03AB:** Steel one-piece cover, black mate Epoxy painted, 1.5 mm. thick.
- **M03AC:** Stainless steel one-piece cover, bright finish, 1.5 mm. thick.
- **M03ACS:** Stainless steel one-piece cover, satin finish, 1.5 mm. thick.
- Fire resistant plastic PA 6 -V0 base and fan scroll, with 4 Ø 8 mm holes for wall mounting. It includes silent-blocks to damp mechanical vibrations.
- Universal brush motor, 4,500 rpm, F class, which includes a safety thermal cut-off.
- Aluminium centrifugal double asymmetrical inlet fan wheel.
- Waved wire NiCr heating element on a mica frame that incorporates a thermal cut-off.
- Fully adjustable (5-25 cm) IR electronic detection sensor by means of a potentiometer.

### Technical Specifications:

<b>Voltage</b>	220- 240 V
<b>Frequency</b>	50/60 Hz
<b>Electrical Isolation</b>	Class II
<b>Total power</b>	2,750 W
<b>Consumption</b>	12A
<b>Motor power</b>	250 W
<b>Rpm</b>	4,500
<b>Heating element power</b>	2,500 W
<b>Dimensions</b>	325x275x164 mm.
<b>Weight</b>	4.25 Kg
<b>Cover thickness</b>	1.5 mm
<b>Drying time</b>	29 sec.
<b>Effective airflow</b>	450 m <sup>3</sup> /h (7,500 L/min)
<b>Air velocity</b>	95 Km/h
<b>Air temperature (10 cm distance/21°C)</b>	50 °C
<b>Sound pressure (*) (at 2m)</b>	65 dBA
<b>Protection rating</b>	IP23

(\*) According to UNE EN ISO 11201:2010 V2 standard.

### Dimensions:



Dim. ± 4%



## Ka Shing Enterprise (H.K.) Ltd.

ROOM 1706 NEW TERRITORIES TSUEN WAN HO LIK CENTRE, 66A SHA TSUI ROAD  
 Tel:26280661 Fax: 24902700  
 Email: project@kashingehk.com  
 Website: www.kashingehk.com

Ivan / Horace 26280661

E/ project@kashingehk.com

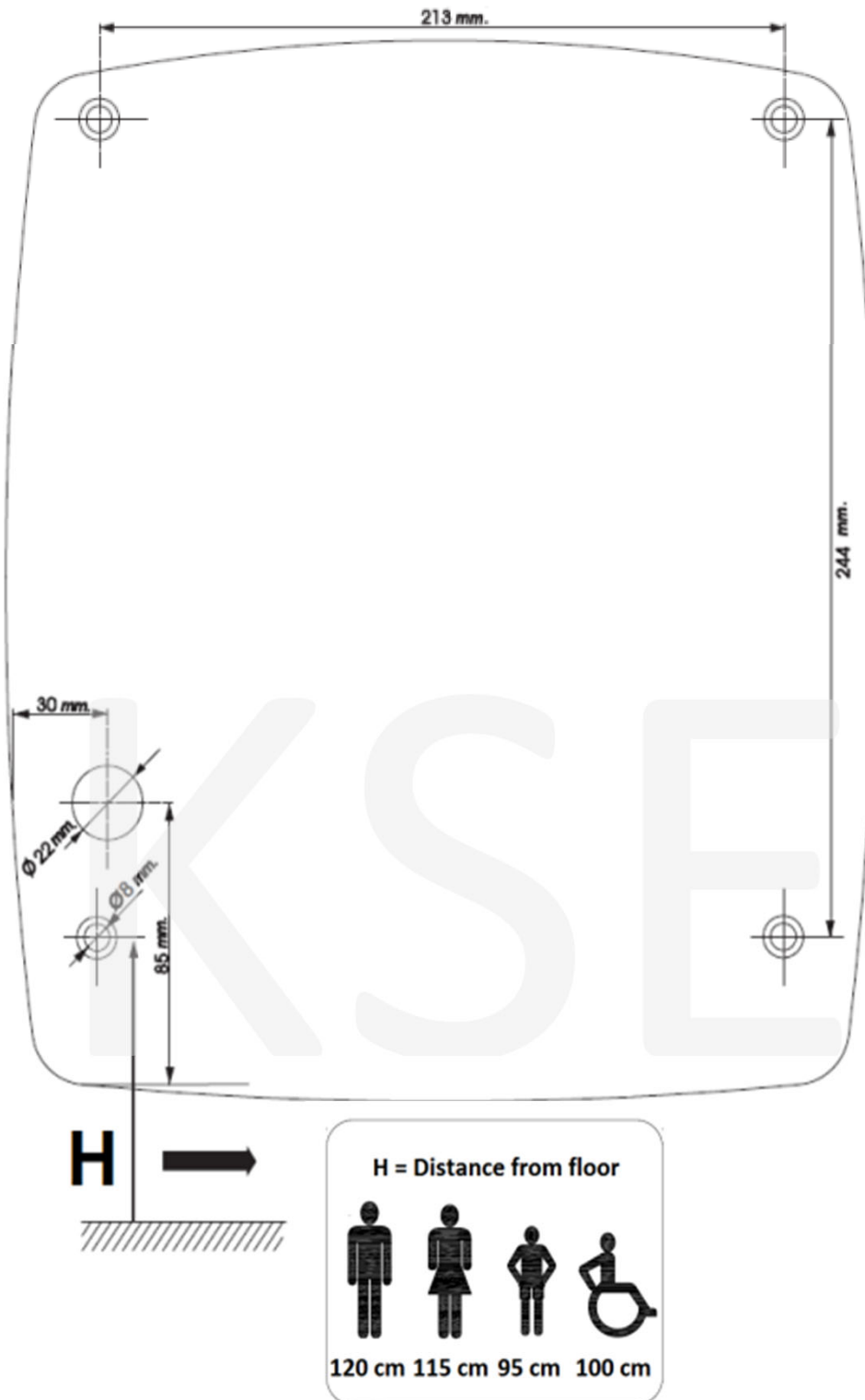
W/ https://www.kashingehk.com/

## Operation

Place the hands under the air outlet. The dryer will start automatically, and go on with no interruption as long as the hands are kept in the detection range of the sensor. The appliance will stop 2 seconds after the hands are removed from the airflow.

## Mounting

### Recommended heights distance from the floor



## Ka Shing Enterprise (H.K.) Ltd.

ROOM 1706 NEW TERRITORIES TSUEN WAN HO LIK CENTRE, 66A SHA TSUI ROAD  
Tel: 26280661 Fax: 24902700  
Email: [project@kashinghk.com](mailto:project@kashinghk.com)  
Website: [www.kashinghk.com](http://www.kashinghk.com)

Ivan / Horace 26280661

E/ [project@kashinghk.com](mailto:project@kashinghk.com)

W/ <https://www.kashinghk.com/>