

SANITARY WARE SPECIFICATION SHEET

Model: M04ACS

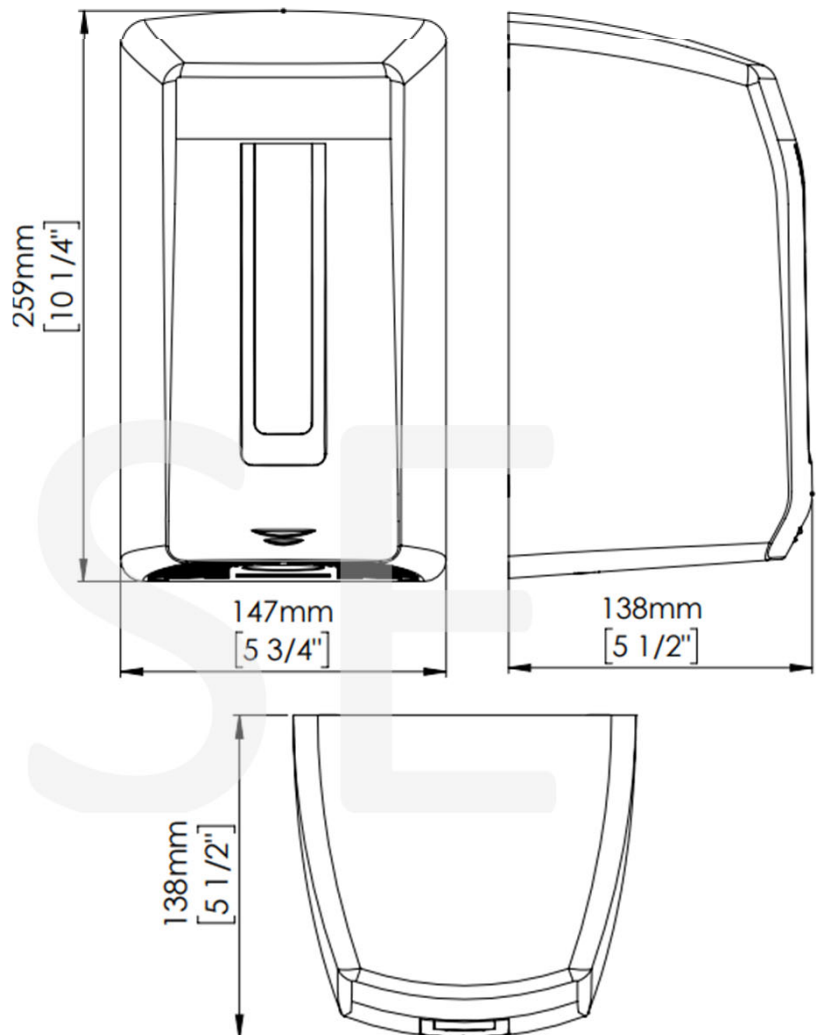
Descriptions: Mediclinics "Smartflow®" (Spain) ABS hand dryer sensor operated in satin finish

Dimensions: L147 x W138 x H259 mm

Material : ABS

Manufacturer: Mediclinics, S.A. (Spain)

Finish : Satin Finish



* All information of the above is for the reference only. No prior notice is made if any changes.



Ka Shing Enterprise (H.K.) Ltd.

ROOM 1706 NEW TERRITORIES TSUEN WAN HO LIK CENTRE, 66A SHA TSUI ROAD
Tel:26280661 Fax: 24902700
Email: project@kashingehk.com
Website: www.kashingehk.com

Ivan / Horace 26280661

E/ project@kashingehk.com

W/ <https://www.kashingehk.com/>



M04A
White finish



M04AB
Matte black finish



M04AC
Bright finish



M04ACS
Satin finish

General description

- The economic line of Smartflow® hand dryers is one of the most compact in the market, designed for locations that because of their size require small sized washroom accessories that meet two requirements: low consumption and optimum hand drying.
- These units are automatic dryers that offer an optimum relationship between functionality and price. Because of its features and design, this economic line is intended to be installed in areas with a medium traffic of people like for example medium sized restaurants, cafeterias or the offices of a small or medium sized company.
- Four models with different finishes are available: white, matte black, bright and satin. All of them with an ABS resistant cover and electronic detection sensor by infrared beam with adjustable distance detection, that allows a better adaptability to different types of washrooms.
- These dryers also provide maximum safety, with a safety thermal cut off installed in the motor and another one in the dryer's heating element.

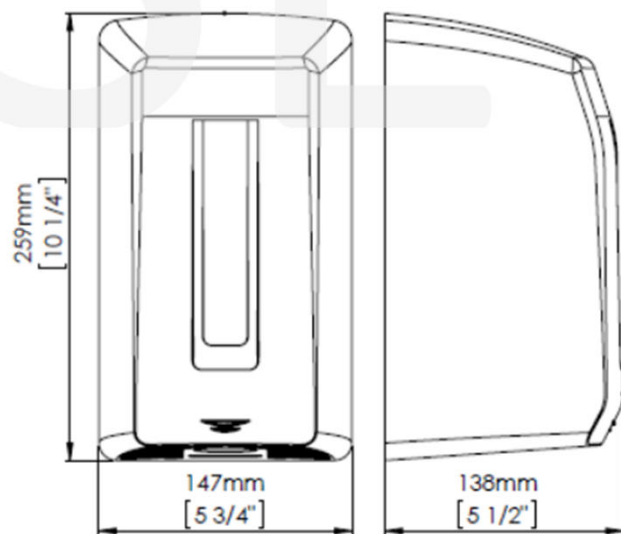
Components and materials

- **M04A:** White ABS thermoplastic one-piece cover, 3 mm thick. Cover fixed to the base by means of 2 screws.
- **M04AB:** Matte black ABS thermoplastic one-piece cover, 3 mm thick. Cover fixed to the base by means of 2 screws.
- **M04AC:** Bright finish ABS thermoplastic one-piece cover, 3 mm thick. Cover fixed to the base by means of 2 screws.
- **M04ACS:** Satin finish ABS thermoplastic one-piece cover, 3 mm thick. Cover fixed to the base by means of 2 screws.
- **BASE PLATE:** made of thermoplastic PP + talcum with 4 Ø 6 mm holes for wall mounting.
- **MOTOR:** universal brush motor, 15,000 rpm, which includes a safety thermal cut-off.
- **FAN WHEEL:** fire resistant plastic PP-V0 helicoidal fan wheel.
- **HEATING ELEMENT:** waved wire NiCr heating element on a mica frame that incorporates a safety thermal cut-off.
- **DETECTION SENSOR:** fully adjustable (5-25 cm) IR electronic detection sensor by means of a potentiometer.

Technical Specifications

Voltage	220- 240 V
Frequency	50/60 Hz
Electrical Isolation	Class II
Total power	1,100 W
Consumption	4.8 A
Motor power	150 W
Rpm	15,000
Heating element power	950 W
Dimensions	259x147x138 mm.
Weight	1.2 Kg
Cover thickness	3 mm
Drying time	39 sec.
Effective airflow	102 m ³ /h (1,700 L/min)
Air velocity	100 Km/h
Air temperature (10 cm distance/21°C)	55 °C
Sound pressure (at 2m)	67 dBA
Protection rating	IP23

Dimensions



Dimensions: ± 4



Ka Shing Enterprise (H.K.) Ltd.

ROOM 1706 NEW TERRITORIES TSUEN WAN HO LIK CENTRE, 66A SHA TSUI ROAD
 Tel:26280661 Fax: 24902700
 Email: project@kashingehk.com
 Website: www.kashingehk.com

Ivan / Horace 26280661

E/ project@kashingehk.com

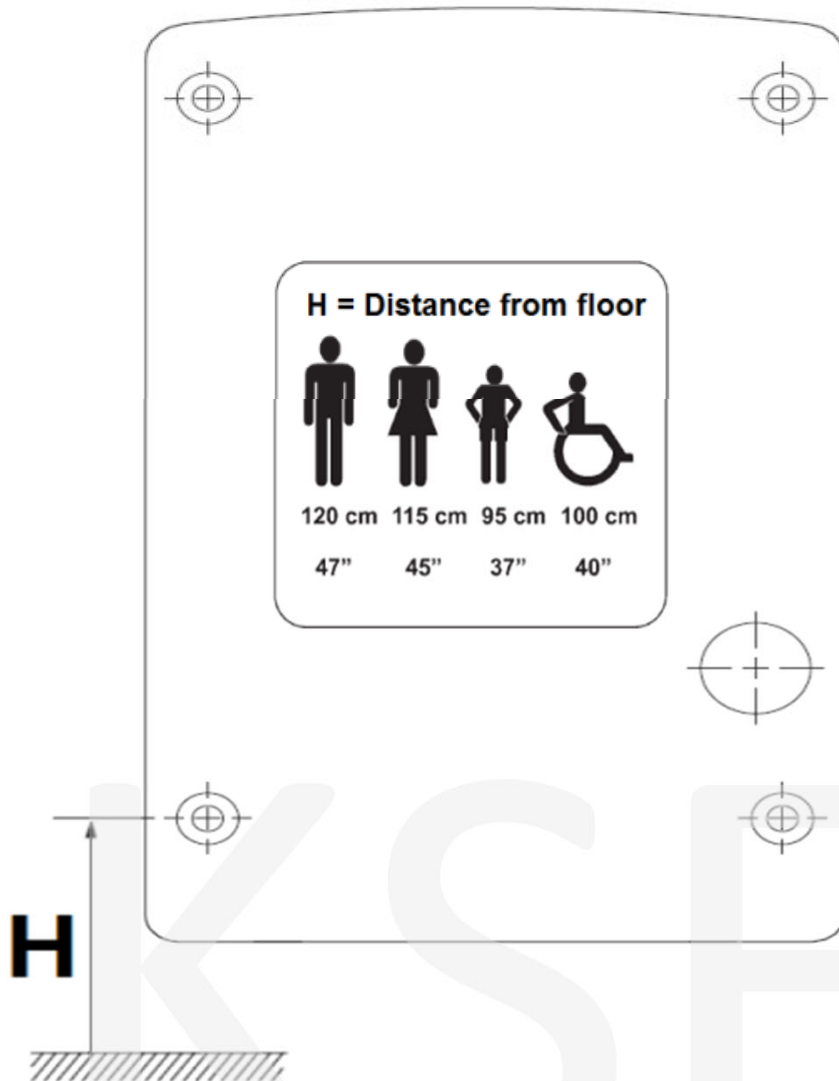
W/ https://www.kashingehk.com/

Operation

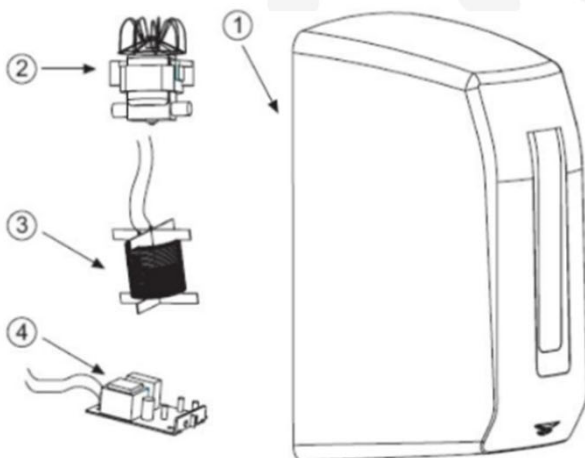
Place the hands under the air outlet. The dryer will start automatically, and go on with no interruption as long as the hands are kept in the detection range of the sensor. The appliance will stop 2 seconds after the hands are removed from the airflow.

Mounting

Recommended heights distance from the floor



BREAKDOWN LIST OF BASICS PARTS



COMPONENT	NUMBER	CODE
Cover (White finish)	1	RC96204
Cover (Bright finish)		RC96204C
Cover (Satin finish)		RC96204SAT
Motor+fan Wheel assembly	2	RC96748
Heating element	3	RC96237
Electronic circuit set	4	RC96600



Ka Shing Enterprise (H.K.) Ltd.

ROOM 1706 NEW TERRITORIES TSUEN WAN HO LIK CENTRE, 66A SHA TSUI ROAD
 Tel:26280661 Fax: 24902700
 Email: project@kashingehk.com
 Website: www.kashingehk.com

Ivan / Horace 26280661

E/ project@kashingehk.com

W/ <https://www.kashingehk.com/>