

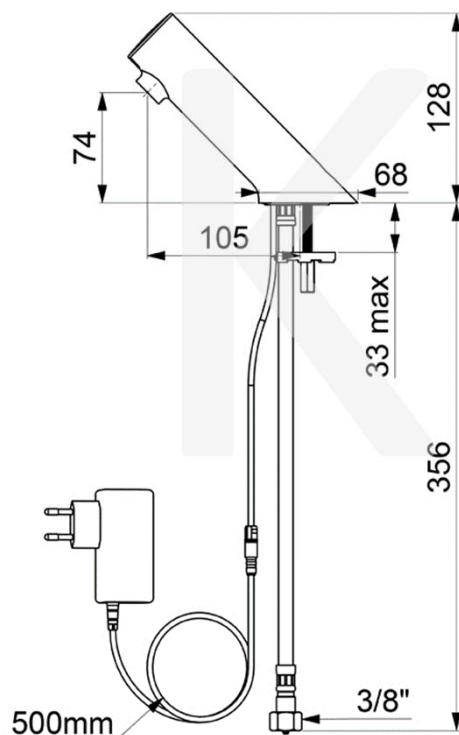
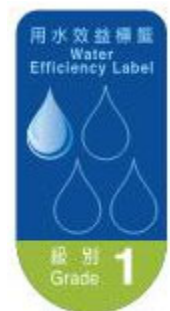
## SANITARY WARE SPECIFICATION SHEET

Model: 449101

Descriptions: Delabie (France) "TEMPOMATIC 5" Deckmounted chrome plated electronic basin tap with 230/6V recessed mains supply via plug ; nominated flow rate 1.9 L/min in WELS Grade 1; Registration No. TN 24-0026

Dimensions: Refer to drawing  
 Manufacturer: Delabie (France)

Material : Metal  
 Finish: Chrome plated



Deck-mounted electronic basin tap:  
 230/6V recessed mains supply via plug.  
 Reduced-stagnation solenoid valve and electronic unit integrated into the body of the tap.  
 Flow rate pre-set at 3 lpm at 3 bar, can be adjusted from 1.4 to 6 lpm.  
 Scale-resistant flow straightener.  
 Duty flush (~60 seconds every 24 hours after last use).  
 Active, infrared presence detection, sensor at the end of the spout optimises detection.  
 Chrome-plated metal body.  
 PEX flexibles F3/8" with filter.  
 Fixing reinforced by two stainless steel rods.  
 Anti-blocking security.  
 Side temperature control with adjustable maximum temperature

\* All information of the above is for the reference only. No prior notice is made if any changes.



**Ka Shing Enterprise (H.K.) Ltd.**

ROOM 1706 NEW TERRITORIES TSUEN WAN HO LIK CENTRE, 66A SHA TSUI ROAD  
 Tel:26280661 Fax: 24902700  
 Email: project@kashingehk.com  
 Website: www.kashingehk.com

Ivan / Horace 26280661  
 E/ project@kashingehk.com  
 W/ https://www.kashingehk.com/



水務署  
Water Supplies Department

總部 Headquarters

香港灣仔告士打道七號入境事務大樓 48 樓

48/F, Immigration Tower, 7 Gloucester Road, Wan Chai, Hong Kong

本署檔號 : ( 6 ) in WSD 3321/2023 T/J(969/2023)  
Our ref.  
來函檔號 :  
Your ref.

電話 :  
Tel.  
傳真 : 2824 0578  
Fax.

17 January 2024



44910Y

**Approval of "DELABIE" Sensor Tap  
(General Acceptance No. C20240047)**

Your letter ref. 44910Y dated 18 September 2023 and subsequent submissions received by this department up to 21 December 2023 refer.

Having considered the test report ref. J28465r2 issued on 7 November 2023 by Nutek Systems (HK) Ltd., this Authority accepts that the fitting described below complies with, and its use when correctly installed does not contravene, the Waterworks Ordinance and Regulations.

**Name of Manufacturer:** Delabie SAS  
**Country of Origin:** France  
**Brand:** Delabie  
**Details of Fitting:** 3/8" Deck mounted sensor tap  
**Model:** 44910Y  
(where "Y" denotes the power supply)  
**Body Markings:** **DELABIE**  
**Expiry Date:** 2 January 2028



**Ka Shing Enterprise (H.K.) Ltd.**

ROOM 1706 NEW TERRITORIES TSUEN WAN HO LIK CENTRE, 66A SHA TSUI ROAD  
Tel: 26280661 Fax: 24902700  
Email: project@kashingehk.com  
Website: www.kashingehk.com

Ivan / Horace 26280661

E/ project@kashingehk.com

W/ <https://www.kashingehk.com/>

This Authority hereby permits the use of the above fitting in fresh water plumbing systems subject to full adherence to Waterworks installation requirements. In particular, you are required to draw your customers' attention to the following requirement-

"A stop cock or gate valve must be installed at the upstream of the fitting for manual isolation of water supply." AND

"The main voltage operated sensor valve should comply with the electricity safety regulation for applications in bathroom, toilet etc."

A condition of this acceptance is that the fitting to be installed shall be replicas of the sample as certified by the testing agent mentioned above and without modifications. This acceptance may be withdrawn at any time if the standard of the fitting installed fails to meet that of the approved sample or if the fitting is found to be unsuitable for use in fresh water plumbing systems.

This acceptance is only applicable to the main body of the fitting, unless otherwise specified.

For the use of the fitting in any project, the General Acceptance Number of this letter must be quoted as a means of identification of acceptance of the fitting by this Authority.

Should you have any enquiries, please contact our Engineer Mr Albert CHOW at tel. no. 3583 4086.

Yours faithfully,



(Terry KUNG)

for Director of Water Supplies

Encl.

c.c. WSD 3321/1/82 ] - without catalogue  
ME/MC ] - with soft copy only

---

**General Acceptance No. C20240047**



**Ka Shing Enterprise (H.K.) Ltd.**

ROOM 1706 NEW TERRITORIES TSUEN WAN HO LIK CENTRE, 66A SHA TSUI ROAD  
Tel:26280661 Fax: 24902700  
Email: project@kashingehk.com  
Website: www.kashingehk.com

Ivan / Horace 26280661

E/ project@kashingehk.com

W/ <https://www.kashingehk.com/>