

SANITARY WARE SPECIFICATION SHEET

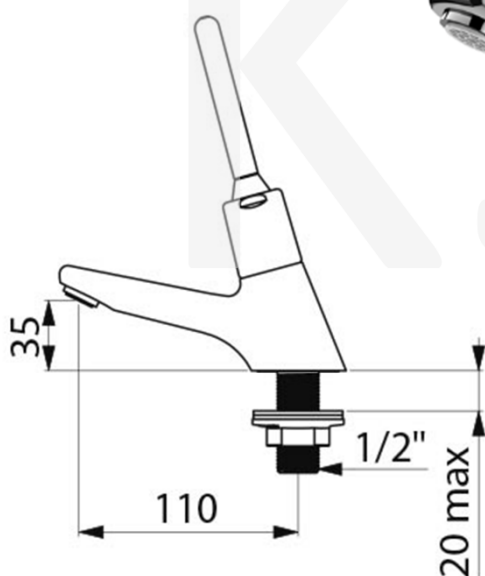
Model: 745440

Descriptions: Delabie (France) "Tempostop" Chrome plated brass lever operated automatic shut-off basin tap, shut-off time delay 7 sec., with conical inlet M 1/2"; Nominal flow rate 2.8 L/Min in WELS Grade 2 ; Registration No. TN 19-0063

Dimensions: Refer to drawing

Material : Chrome Plated

Manufacturer: Delabie (France)



Deck-mounted time flow lever-operated basin tap:
Time flow ~7 seconds.
Flow rate pre-set at 3 lpm at 3 bar, can be adjusted from 1.4 to 6 lpm.
Tamperproof scale-resistant flow straightener.
Chrome-plated brass body M1/2".
Chrome-plated metal lever.
Fixing reinforced by back-nut.
Lever control (soft-touch operation).
Suitable for people with reduced mobility.

* All information of the above is for the reference only. No prior notice is made if any changes.



Ka Shing Enterprise (H.K.) Ltd.

ROOM 1706 NEW TERRITORIES TSUEN WAN HO LIK CENTRE, 66A SHA TSUI ROAD
Tel: 26280661 Fax: 24902700
Email: project@kashingehk.com
Website: www.kashingehk.com

Ivan / Horace 26280661

E/ project@kashingehk.com

W/ <https://www.kashingehk.com/>



自願參與用水效益標籤計劃 - 水龍頭
Voluntary Water Efficiency Labelling Scheme - Water Taps

Certificate of Registration 註冊證書



茲證明
This is to certify that



將下列水龍頭在本計劃內註冊：
has registered the following water tap under this scheme :

牌子 / Brand	:	Delabie
型號 / Model	:	745440
種類 / Type	:	Non-mixing
原產地 / Country or Region Origin	:	France

在用水效益標籤上展示的標誌 <i>Symbolic Presentation on the Water Efficiency Label</i>	:		滴水點 <i>Water droplet(s)</i>
用水效益級別 <i>Water Efficiency Grade</i>	:	2	with additional merit*
耗水量 <i>Water Consumption</i>	:	2.8	公升/分鐘 <i>litres/minute</i>

*with additional merit of "Automatic closing mechanism"

簽發日期：
Date of Issue: 20 May 2019

水務署
Water Supplies Department



水務署署長(張樂駒代行)
for Director of Water Supplies



水務署
Water Supplies Department

總部 Headquarters
香港灣仔告士打道七號入境事務大樓 48 樓
48/F, Immigration Tower, 7 Gloucester Road, Wan Chai, Hong Kong

本署檔號 : (4) in WSD 3321/2021 T/J(509/2021)
Our ref.
來函檔號 :
Your ref.

電話 :
Tel.
傳真 : 2824 0578
Fax.



745440

20 May 2021

Approval of "DELABIE" Self Closing Tap
(General Acceptance No. C20210534)

Your letters both ref. 745440 dated 24 March 2021 and 29 April 2021 refer.

Having considered the test report ref. J25744r1 issued on 20 April 2021 by Nutek System (HK) Limited, this Authority accepts that the fitting described below complies with, and its use when correctly installed does not contravene, the Waterworks Ordinance and Regulations.

Name of Manufacturer: Delabie SCS
Country of Origin: France
Brand: Delabie
Details of Fitting: 1/2" Self closing basin tap
Model: 745440
Body Markings: **DELABIE**
Expiry Date: 1 December 2025



This Authority hereby permits the use of the above fitting in fresh water plumbing systems subject to full adherence to Waterworks installation requirements.

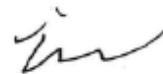
A condition of this acceptance is that the fitting to be installed shall be replicas of the sample as certified by the testing agent mentioned above and without modifications. This acceptance may be withdrawn at any time if the standard of the fitting installed fails to meet that of the approved sample or if the fitting is found to be unsuitable for use in fresh water plumbing systems.

This acceptance is only applicable to the main body of the fitting, unless otherwise specified.

For the use of the fitting in any project, the General Acceptance Number of this letter must be quoted as a means of identification of acceptance of the fitting by this Authority.

Should you have any enquiries, please contact our Engineer Mr. Terry KUNG at tel. no. 3583 4086.

Yours faithfully,



(Roger WONG)

for Director of Water Supplies

Encl.

c.c. WSD 3321/1/82] - without catalogue
ME/MC] - with soft copy only