

SANITARY WARE SPECIFICATION SHEET

Model: 745300

Descriptions: Delabie (France) "TEMPOSTOP" Deck-mounted time flow basin tap ; nominated flow rate 2.8 L/min in WELS Grade 2; Registration No. TN 19-0061

Dimensions: Refer to drawing
 Manufacturer: Delabie (France)

Material : Metal
 Finish: Chrome plated



ADVANTAGES



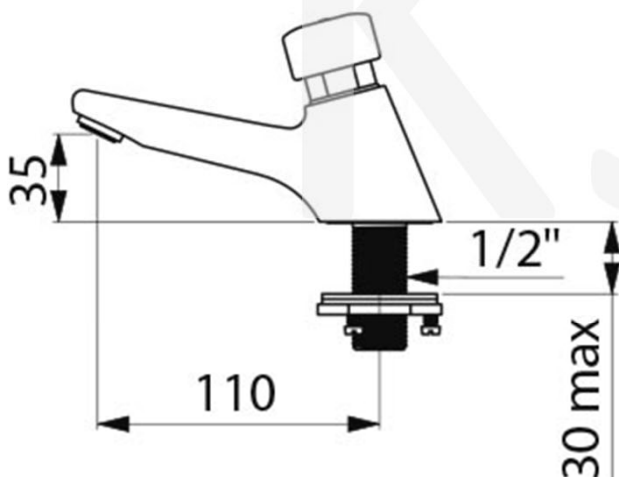
85% water savings



Chrome-plated solid brass, reinforced fixings



Maintenance from front without removing mixer/tap



Deck-mounted time flow basin tap:

Time flow ~7 seconds.

Flow rate pre-set at 3 lpm at 3 bar, can be adjusted from 1.4 to 6 lpm.

Tamperproof scale-resistant flow straightener.

Chrome-plated brass body M $\frac{1}{2}$ ".

Fixing reinforced by back-nut with 3 stainless steel screws.

* All information of the above is for the reference only. No prior notice is made if any changes.



Ka Shing Enterprise (H.K.) Ltd.

ROOM 1706 NEW TERRITORIES TSUEN WAN HO LIK CENTRE, 66A SHA TSUI ROAD
 Tel:26280661 Fax: 24902700
 Email: project@kashingehk.com
 Website: www.kashingehk.com

Ivan / Horace 26280661

E/ project@kashingehk.com

W/ <https://www.kashingehk.com/>



水務署
Water Supplies Department

總部 Headquarters

香港灣仔告士打道七號入境事務大樓 48 樓

48/F, Immigration Tower, 7 Gloucester Road, Wan Chai, Hong Kong

本署檔號 : (4) in WSD 3321/2021 T/J(804/2021)
Our ref.
來函檔號 :
Your ref.

電話 :
Tel.
傳真 : 2824 0578
Fax.

22 June 2021



745300

**Approval of "DELABIE" Self Closing Taps
(General Acceptance No. C20210641)**

Your letters both ref. 745100 & 745300 dated 18 May 2021 and 28 May 2021 refer.

Having considered the test report ref. J25745r1 issued on 6 May 2021 by Nutek Systems (HK) Ltd., this Authority accepts that the fittings described below comply with, and their use when correctly installed does not contravene, the Waterworks Ordinance and Regulations.

Name of Manufacturer: Delabie SCS
Country of Origin: France
Brand: Delabie
Details of Fitting: 1/2" Self closing basin tap
Model: 745100 and 745300
Body Markings: **DELABIE**
Expiry Date: 1 December 2025



Ka Shing Enterprise (H.K.) Ltd.

ROOM 1706 NEW TERRITORIES TSUEN WAN HO LIK CENTRE, 66A SHA TSUI ROAD
Tel: 26280661 Fax: 24902700
Email: project@kashingehk.com
Website: www.kashingehk.com

Ivan / Horace 26280661

E/ project@kashingehk.com

W/ <https://www.kashingehk.com/>

This Authority hereby permits the use of the above fittings in fresh water plumbing systems subject to full adherence to Waterworks installation requirements.


A condition of this acceptance is that the fittings to be installed shall be replicas of the samples as certified by the testing agent mentioned above and without modifications. This acceptance may be withdrawn at any time if the standard of the fittings installed fail to meet that of the approved samples or if the fittings are found to be unsuitable for use in fresh water plumbing systems.

This acceptance is only applicable to the main body of the fittings, unless otherwise specified.

For the use of the fittings in any project, the General Acceptance Number of this letter must be quoted as a means of identification of acceptance of the fittings by this Authority.

Should you have any enquiries, please contact our Engineer Mr. Terry KUNG at tel. no. 3583 4086.

Yours faithfully,



(Roger WONG)

for Director of Water Supplies

Encl.

c.c. WSD 3321/1/82] - without catalogue
 ME/MC] - with soft copy only

General Acceptance No. C20210641



Ka Shing Enterprise (H.K.) Ltd.

ROOM 1706 NEW TERRITORIES TSUEN WAN HO LIK CENTRE, 66A SHA TSUI ROAD
Tel:26280661 Fax: 24902700
Email: project@kashingehk.com
Website: www.kashingehk.com

Ivan / Horace 26280661

E/ project@kashingehk.com

W/ <https://www.kashingehk.com/>