

SANITARY WARE SPECIFICATION SHEET

Model: 443416

Descriptions: Delabie (France) "TEMPOMATIC 4" Wall-mounted electronic basin tap with lithium 123 6V batteries integrated ; nominated flow rate 0.6 L/min in WELS Grade 1; Registration No. TN 21-0052

Dimensions: Refer to drawing

Material : Metal

Manufacturer: Delabie (France)

Finish: Chrome plated



ADVANTAGES



Exceptional water savings: 90%



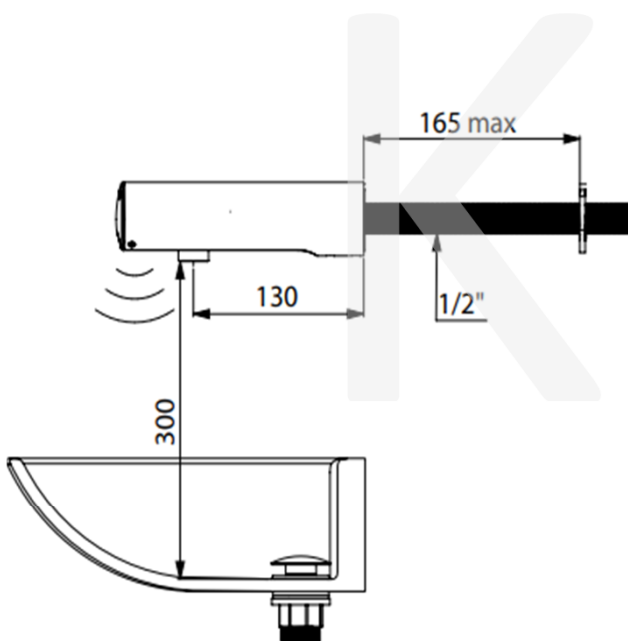
Hygiene: no manual contact



Integrated electronics



Replace batteries without removing tap



Wall-mounted electronic basin tap:
Lithium 123 6V batteries integrated.

Reduced-stagnation solenoid valve and electronic unit integrated into the body of the tap.

Flow rate pre-set at 3 lpm at 3 bar, can be adjusted from 1.4 - 6 lpm.

Scale-resistant flow straightener.

Duty flush (~60 seconds every 24 hours after last use).

Presence detection, sensor at the end of the spout optimises detection.

Chrome-plated stainless steel body, L. 130mm.

Cap fixed in place by 2 concealed screws.

Stopcock.

For cross wall installation.

Anti-blocking security.

Suitable for people with reduced mobility.

* All information of the above is for the reference only. No prior notice is made if any changes.



Ka Shing Enterprise (H.K.) Ltd.

ROOM 1706 NEW TERRITORIES TSUEN WAN HO LIK CENTRE, 66A SHA TSUI ROAD

Tel: 26280661 Fax: 24902700

Email: project@kashingehk.com

Website: www.kashingehk.com

Ivan / Horace 26280661

E/ project@kashingehk.com

W/ <http://www.kashingehk.com/>



水務署
Water Supplies Department

總部 Headquarters
香港灣仔告士打道七號入境事務大樓 48 樓
48/F, Immigration Tower, 7 Gloucester Road, Wan Chai, Hong Kong

本署檔號 : (2) in WSD 3321/2021 T/J(89/2021)
Our ref.
來函檔號 :
Your ref.

電話 :
Tel.
傳真 : 2824 0578
Fax.

8 February 2021



44341X

Approval of "DELABIE" Sensor Tap
(General Acceptance No. C20210112)

Your letter ref. 44341X dated 21 December 2020 refers.

Having considered the test report ref. J25546r1 issued on 9 December 2020 by Nutek Systems (HK) Ltd., this Authority accepts that the fitting described below complies with, and its use when correctly installed does not contravene, the Waterworks Ordinance and Regulations.

Name of Manufacturer: Delabie SCS
Country of Origin: France
Brand: Delabie
Details of Fitting: 1/2" Wall mounted sensor tap
Model: 44341X
(where "X" denotes the type of power supply)
Body Markings: **DELABIE**
Expiry Date: 18 November 2025



Ka Shing Enterprise (H.K.) Ltd.

ROOM 1706 NEW TERRITORIES TSUEN WAN HO LIK CENTRE, 66A SHA TSUI ROAD
Tel: 26280661 Fax: 24902700
Email: project@kashingehk.com
Website: www.kashingehk.com

Ivan / Horace 26280661

E/ project@kashingehk.com

W/ <https://www.kashingehk.com/>

This Authority hereby permits the use of the above fitting in fresh water plumbing systems subject to full adherence to Waterworks installation requirements. In particular, you are required to draw your customers' attention to the following requirement-

"A stop cock or gate valve must be installed at the upstream of the fitting for manual isolation of water supply." AND

"The main voltage operated sensor valve should comply with the electricity safety regulation for applications in bathroom, toilet etc."

A condition of this acceptance is that the fitting to be installed shall be replicas of the sample as certified by the testing agent mentioned above and without modifications. This acceptance may be withdrawn at any time if the standard of the fitting installed fail to meet that of the approved sample or if the fitting is found to be unsuitable for use in fresh water plumbing systems.

This acceptance is only applicable to the main body of the fitting, unless otherwise specified.

For the use of the fitting in any project, the General Acceptance Number of this letter must be quoted as a means of identification of acceptance of the fitting by this Authority.

Should you have any enquiries, please contact our Engineer Mr. Terry KUNG at tel. no. 3583 4086.

Yours faithfully,



(CHAN Chung-kun)

for Director of Water Supplies

Encl.

c.c. WSD 3321/1/82] - without catalogue
 ME/MC] - with soft copy only

General Acceptance No. C20210112



Ka Shing Enterprise (H.K.) Ltd.

ROOM 1706 NEW TERRITORIES TSUEN WAN HO LIK CENTRE, 66A SHA TSUI ROAD
 Tel:26280661 Fax: 24902700
 Email: project@kashingehk.com
 Website: www.kashingehk.com

Ivan / Horace 26280661

E/ project@kashingehk.com

W/ <https://www.kashingehk.com/>