

SANITARY WARE SPECIFICATION SHEET

1804T2 (spout)

Model: 20804T2

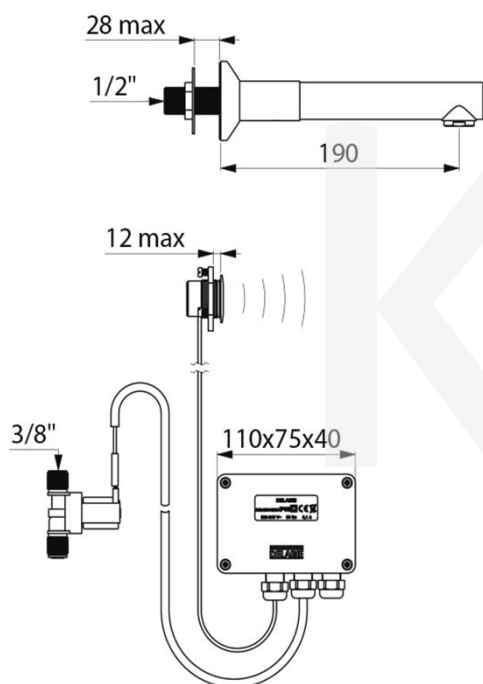
447100(Sensor eye)

Descriptions: Delabie (France) "TEMPOMATIC" Wall-mounted electronic sensor basin tap with BIOCLIP removable spout, 230/12V mains supply with transformer. Two shut-off options. Nominal flow rate 3.3 L/Min in WELS Grade 2 ; Registration No. TN 20-0030

Dimensions: Refer to drawing

Material : Chrome Plated

Manufacturer: Delabie (France)



Wall-mounted electronic basin tap. Electronic tap with BIOCLIP removable spout
Infrared tap supplied with 2 removable BIOCLIP stainless steel spouts L. 129mm.
Independent IP65 electronic control unit. 230/12V mains supply with transformer.
Base and spout with smooth interiors (reduces bacterial development).
Adjustable duty flush (pre-set at ~60 seconds every 24 hours after last use).
Flow rate limited to 4 lpm at 3 bar.
Shock-resistant infrared presence detection sensor.
Separate sensor for mounting on panels.
M3/8" solenoid valve with integrated filter.
Ø 60mm chrome-plated brass base.

Anti-blocking security. Recommended installation height: 110 - 200mm above the basin surface.
Electronic tap suitable for use in healthcare facilities, retirement and care homes, hospitals and clinics.
Electronic tap suitable for people with reduced mobility.
Two shut-off options:
- standard mode: timed flow with automatic shut-off.
- ON/OFF mode: user shuts off flow voluntarily or automatic shut-off after 30 minutes of flow. Thermal shocks are possible. Mount the sensor beside the tap in the ON/OFF mode.

* All information of the above is for the reference only. No prior notice is made if any changes.



Ka Shing Enterprise (H.K.) Ltd.

ROOM 1706 NEW TERRITORIES TSUEN WAN HO LIK CENTRE, 66A SHA TSUI ROAD
Tel:26280661 Fax: 24902700
Email: project@kashingehk.com
Website: www.kashingehk.com

Ivan / Horace 26280661

E/ project@kashingehk.com

W/ <https://www.kashingehk.com/>

ADVANTAGES



Automatic duty flush limits bacterial development



Hygiene: spout can be removed and descaled inside



Hygiene: smooth interior reduces bacteria



No manual contact: infrared sensor

Connector

3/8"

Technology

Wall-mounted electronic tap

Depth

190mm

Length

129mm

Spout length

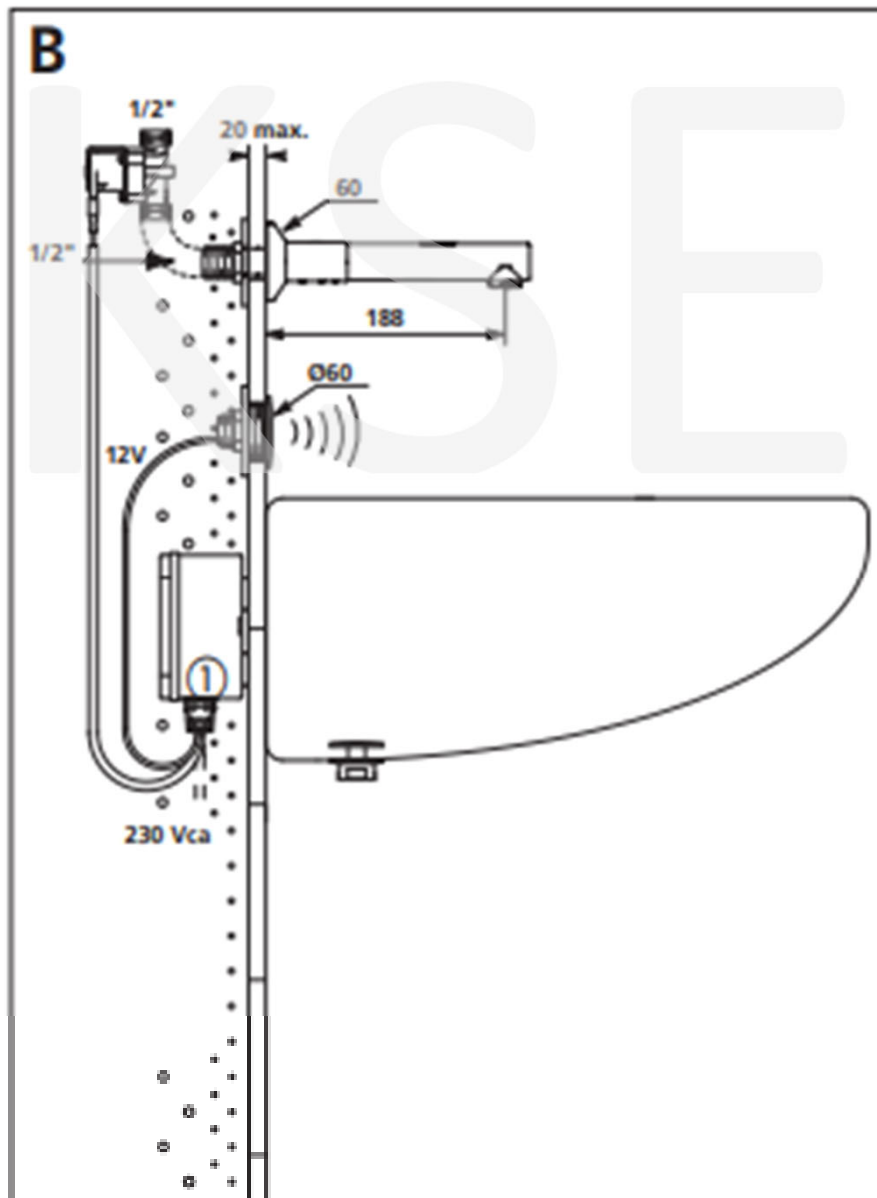
188mm

Flow rate

4 lpm at 3 bar

Finish

Chrome-plated brass



Ka Shing Enterprise (H.K.) Ltd.

ROOM 1706 NEW TERRITORIES TSUEN WAN HO LIK CENTRE, 66A SHA TSUI ROAD

Tel:26280661 Fax: 24902700

Email: project@kashinghk.com

Website: www.kashinghk.com

Ivan / Horace 26280661

E/ project@kashinghk.com

W/ <https://www.kashinghk.com/>



水務署
Water Supplies Department

總部 Headquarters
香港灣仔告士打道七號入境事務大樓 48 樓
48/F, Immigration Tower, 7 Gloucester Road, Wan Chai, Hong Kong

本署檔號 : (4) in WSD 3321/2024 T/J(432/2024)
Our ref.
來函檔號 :
Your ref.

電話 :
Tel.
傳真 : 2824 0578
Fax.

30 July 2024



20804T2

Approval of "DELABIE" Sensor Tap
(General Acceptance No. C20240486)

Your letters both ref. 20804T2 dated 7 May 2024 and 1 July 2024 refer.

Having considered the test report ref. J29369r2 issued on 24 April 2024 by Nutek Systems (HK) Ltd. and WRAS certificate, this Authority accepts that the fitting described below complies with, and its use when correctly installed does not contravene, the Waterworks Ordinance and Regulations.

Name of Manufacturer: Delabie SAS
Country of Origin: France
Brand: Delabie
Details of Fitting: 3/8" Wall mounted sensor tap with 1 no. of flexible hose approved by UK's WRAS under ref. 2012802
Model: 20804T2
Body Markings: DELABIE
Expiry Date: 31 December 2025



Ka Shing Enterprise (H.K.) Ltd.

ROOM 1706 NEW TERRITORIES TSUEN WAN HO LIK CENTRE, 66A SHA TSUI ROAD
Tel: 26280661 Fax: 24902700
Email: project@kashinghk.com
Website: www.kashinghk.com

Ivan / Horace 26280661
E/ project@kashinghk.com
W/ https://www.kashinghk.com/

This Authority hereby permits the use of the above fitting in fresh water plumbing systems subject to full adherence to Waterworks installation requirements. In particular, you are required to draw your customers' attention to the following requirement-

"A stop cock or gate valve must be installed at the upstream of the fitting for manual isolation of water supply." AND

"The main voltage operated sensor valve should comply with the electricity safety regulation for applications in bathroom, toilet etc."

A condition of this acceptance is that the fitting to be installed shall be replicas of the sample as certified by the testing agent mentioned above and without modifications. This acceptance may be withdrawn at any time if the standard of the fitting installed fails to meet that of the approved sample or if the fitting is found to be unsuitable for use in fresh water plumbing systems.

This acceptance is only applicable to the main body of the fitting, unless other specified.

For the use of the fitting in any project, the General Acceptance Number of this letter must be quoted as a means of identification of acceptance of the fitting by this Authority.

Should you have any enquiries, please contact our Engineer Mr Albert CHOW at tel. no. 3583 4086.

Yours faithfully,



(Terry KUNG)

for Director of Water Supplies

Encl.

c.c. WSD 3321/1/82] - without catalogue
ME/MC] - with soft copy only

General Acceptance No. C20240486



Ka Shing Enterprise (H.K.) Ltd.

ROOM 1706 NEW TERRITORIES TSUEN WAN HO LIK CENTRE, 66A SHA TSUI ROAD
Tel:26280661 Fax: 24902700
Email: project@kashinghk.com
Website: www.kashinghk.com

Ivan / Horace 26280661

E/ project@kashinghk.com

W/ <https://www.kashinghk.com/>