



| | | | | | | |
|----------|--|------|--|-----|-----------|--|
| PROJECT | | REF | | REV | ITEM CODE | |
| LOCATION | | DATE | | | PAGE | |

SANITARY WARE SPECIFICATION SHEET

| | |
|---|--|
| <p>Item Descriptions</p> <p>Haws (USA) Emergency shower horizontal or vertical include hydrodynamic designed ABS plastic showerhead with 20 gpm flow control, Schedule 80 PVC piping, Type 316 Stainless Steel ball valve equipped with stainless steel ball and stem, stainless steel pull rod with triangular handle</p> | <p style="text-align: center;">Illustration/ Drawing</p> |
| <p>Model</p> <p>8130</p> | <p>Dimensions</p> <p>Refer to drawing</p> |
| <p>Material</p> <p>Plastic</p> | <p>Manufacturer</p> <p>Haws Corporation (USA)</p> |
| <p>Source</p> <p>Ka Shing Enterprises (H.K) Limited Mr. Ivan Lau / Mr. GilmanYuen</p> | <p>Contact Tel/Fax</p> <p>(852) 2628-0661 / (852) 2490-2700</p> |
| <p>E-mail</p> <p>project@kashingehk.com</p> | <p>Website</p> <p>www.kashingehk.com</p> |
| <p>AXION® MSR Corrosion Resistant Emergency Drench Shower</p> <p>Model 8130 AXION MSR drench shower (patent pending) offers a new hydrodynamic shower design that minimizes the strong physical pressure that drives the water to the outer rim of normal showerheads, making the distribution equal across the entire footprint of the flow. Better use of the water flowing through the shower makes it more effective while providing a more comfortable environment by breaking the streams of water into smaller individual droplets.</p> <p>*A great addition to potentially unsafe environments where the body may be exposed to corrosive materials *AXION MSR ABS plastic drench showerhead with flow control delivers dispersed flow for uniform drenching *Requires minimal maintenance and is equipped with test card to record weekly testing *Reduced installation time due to pre-built valve assembly and units design to mount horizontally or vertically from any wall or ceiling *Corrosion resistant Schedule 80 PVC pipe and stainless steel valve makes for a durable long lasting product</p> <p>Certified by CSA to meet the ANSI/ISEA Z358.1 Standard for Emergency Eyewash and Shower Equipment.</p> <p>Prop 65 Warning. For California Residents Warning: This product contains a chemical known to the State of California to cause cancer and/or birth defects or other reproductive harm. Please click here for more information.</p> | |
| | |

Note:

** All information of the above is for the reference only. No prior notice is made if any changes.*

FEATURES & BENEFITS

CONSTRUCTION

Corrosion-resistant heavy-duty Schedule 80 PVC pipe and fittings coated with Green Epoxy paint provide added resistance in corrosive environments.

SHOWERHEAD

AXION® MSR ABS plastic drench showerhead uses a hydrodynamic design to give equal distribution of water throughout the entire footprint of flow.

MOUNTING

Designed for horizontal or vertical installation, this drench shower is mounted sturdily from any wall or ceiling.

QUALITY CONTROL

Valve assembly is pre-built for reduced installation time and an added peace of mind for the installer.

PULL ROD

28" (71.1 cm) stainless steel triangular pull rod provides a reachable height for users while maintaining its durable design.

SAFETY

8" x 10-3/4" (20.3 x 27.3 cm) universal emergency sign make the unit easily detected in an emergency. Test card to record weekly checks helps maintain the units best working quality.



SPECIFICATIONS

Model 8130 drench shower for horizontal or vertical installation shall include include the AXION® MSR hydrodynamic designed ABS plastic showerhead with 20 gpm flow control, Schedule 80 PVC piping, Type 316 Stainless Steel ball valve equipped with stainless steel ball and stem, stainless steel pull rod with triangular handle, universal sign, and 1" NPT supply.

OPTIONS

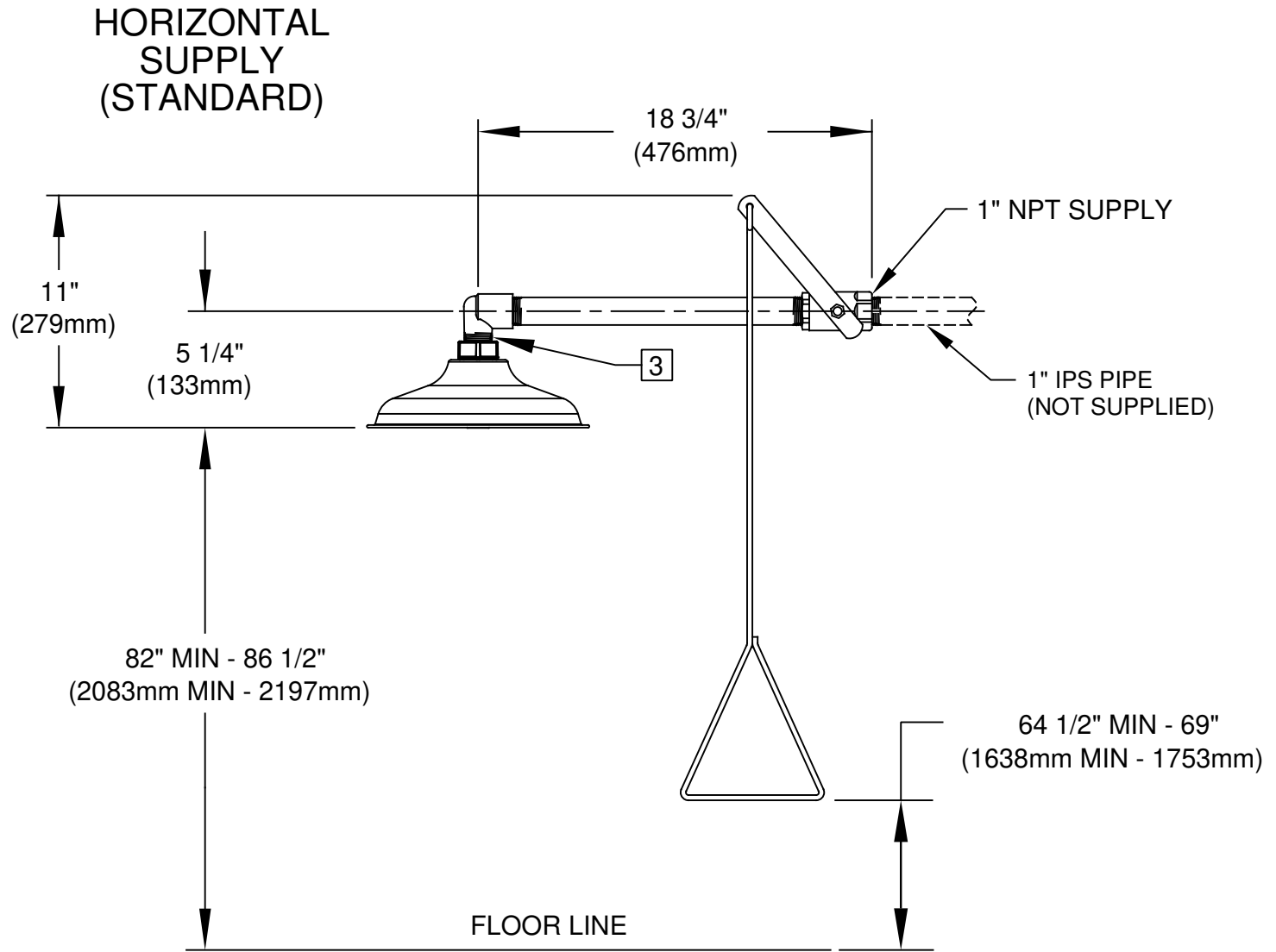
- Thermostatic Mixing Valve: Model 9201E AXION® Emergency Tempering Valve thermostatically mixes hot and cold water to provide a safe fluid supply for emergency showers and eyewash equipment, with a flow rate of 31 gpm (117.3 L).
- Emergency Alarm System: Model 9001, 1-1/4" 120 VAC emergency alarm and light system. Buzzer and flashing light are activated by an 1-1/4" double pole, double throw flow switch.
- AXION® MSR Showerhead: Model SP829SS, AXION® MSR stainless steel drench showerhead with integral 20 gpm (75.7 L) flow control.
- Thermostatic Mixing Valve: Model 9201H Lead-free AXION® Emergency Tempering Valve thermostatically mixes hot and cold water to provide a safe fluid supply for emergency showers and eyewash equipment, with a flow rate of 31 gpm (117.3 L).

For more information, visit www.hawsc.com or call (888) 640-4297.

APPLICATIONS

Where the body of any person may be exposed to injurious or corrosive materials, suitable facilities for quick drenching or cleansing of the body shall be provided within the work area for immediate emergency use. Emergency eyewash facilities and deluge showers shall be in unobstructed and accessible locations that require no more than 10 seconds for the injured person to reach. Model 8130 is certified by CSA to meet the ANSI/ISEA Z358.1 Standard for Emergency Eyewash and Shower Equipment.



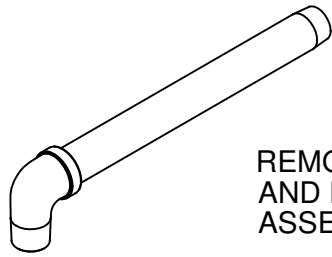


NOTES:

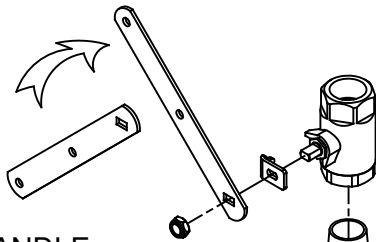
1. WHEN INSTALLING THIS UNIT, LOCAL, STATE, OR FEDERAL CODES SHOULD BE ADHERED TO FOR INSTALLATION DIMENSIONS (LOCATIONS), WASTE AND SUPPLY REQUIREMENTS OTHER THAN SHOWN.
2. TO COMPLY WITH ANSI Z358.1-2014 FOR EMERGENCY SHOWER EQUIPMENT:
 - SHOWER SHALL BE POSITIONED SUCH THAT SHOWER HEAD IS NO LESS THAN 82" (2083mm) AND NO GREATER THAN 96" (2438mm) FROM SURFACE ON WHICH USER STANDS.
 - SHOWER SPRAY PATTERN SHALL HAVE A MINIMUM DIAMETER OF 20" (508mm) AT 60" (1524mm) ABOVE SURFACE ON WHICH USER STANDS, AND CENTER OF SPRAY PATTERN SHALL BE LOCATED NO LESS THAN 16" (406mm) FROM NEAREST OBSTRUCTION.
- 3 DO NOT USE REGULAR PIPE SEALANT. IF NECESSARY USE DOW CORNING 832 SEALANT; PLACING FIVE SMALL BEADS ON MALE THREADS, JUST ABOVE FIRST THREAD.
4. DIMENSIONS MAY VARY ±1/2" (13mm).

| | | | |
|---|---------------------------------|---|-----------------------------|
|  | | 1455 KLEPPE LANE SPARKS, NEVADA 89431 (775) 359-4712 FAX (775) 359-7424 E-MAIL: HAWS@HAWS.CO.COM WEBSITE: WWW.HAWS.CO.COM | |
| | | ECN NO. REVISED PER BY: MODEL(S) ECN: 5279 VWC | PART NUMBER 0002080129.D |
| DRAWN: TRF APPROVED: FV | DATE: 5/21/91 DATE: 02/16/18 | CHK'D: VWC VWC | 8130 DRENCH SHOWER |
| SCALE: NA | DRAWING TYPE: INSTALLATION | SIZE: A | SHEET 1 OF 2 |

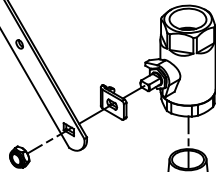
**FOR VERTICAL SUPPLY
(RECONFIGURE AS SHOWN)**



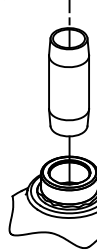
REMOVE ELBOW
AND PIPE FROM
ASSEMBLY



REMOVE HANDLE,
FLIP COMPLETELY
TO OTHER SIDE.
REATTACH.



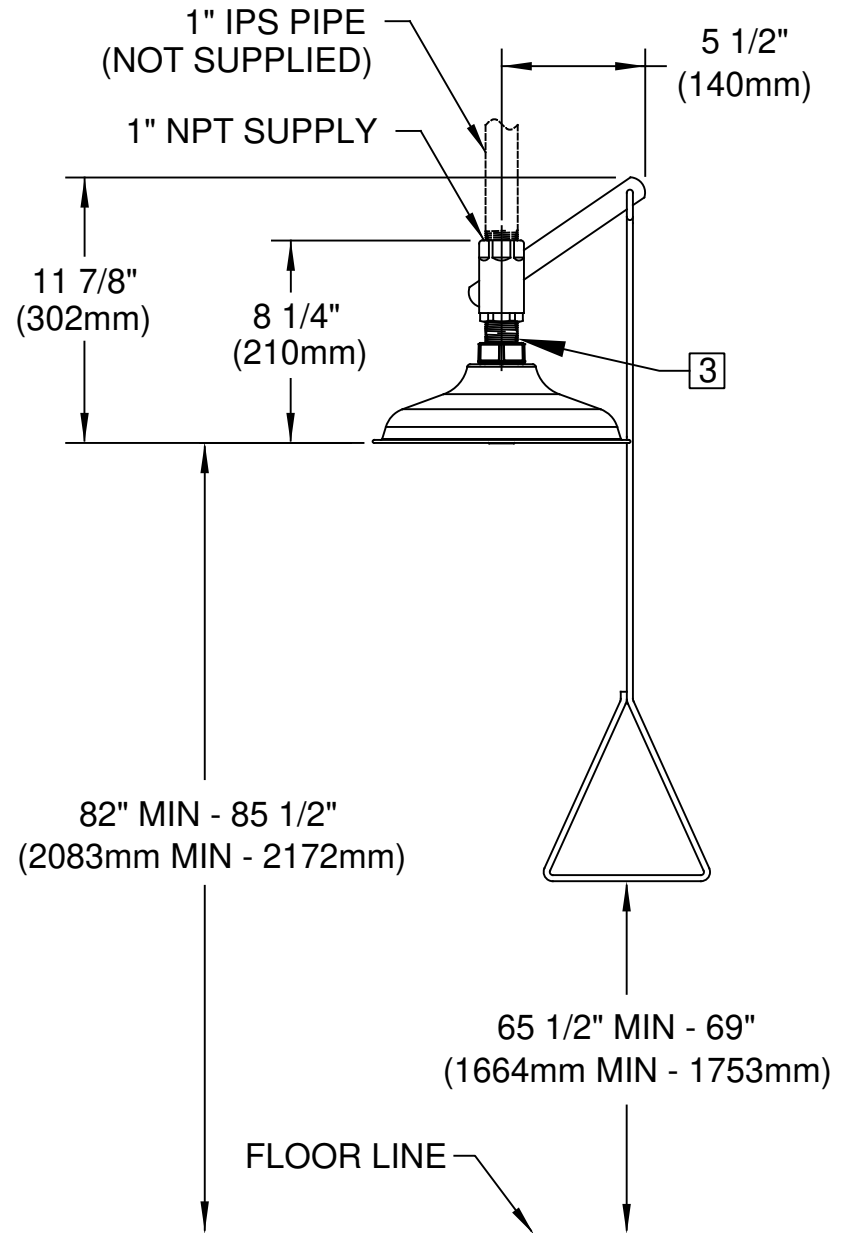
BALL VALVE



ASSEMBLE
SHORTER 2"
LONG NIPPLE
(SUPPLIED)



SHOWER HEAD



NOTES:

1. WHEN INSTALLING THIS UNIT, LOCAL, STATE, OR FEDERAL CODES SHOULD BE ADHERED TO FOR INSTALLATION DIMENSIONS (LOCATIONS), WASTE AND SUPPLY REQUIREMENTS OTHER THAN SHOWN.
2. TO COMPLY WITH ANSI Z358.1-2014 FOR EMERGENCY SHOWER EQUIPMENT:
 - SHOWER SHALL BE POSITIONED SUCH THAT SHOWER HEAD IS NO LESS THAN 82" (2083mm) AND NO GREATER THAN 96" (2438mm) FROM SURFACE ON WHICH USER STANDS.
 - SHOWER SPRAY PATTERN SHALL HAVE A MINIMUM DIAMETER OF 20" (508mm) AT 60" (1524mm) ABOVE SURFACE ON WHICH USER STANDS, AND CENTER OF SPRAY PATTERN SHALL BE LOCATED NO LESS THAN 16" (406mm) FROM NEAREST OBSTRUCTION.
3. DO NOT USE REGULAR PIPE SEALANT. IF NECESSARY USE DOW CORNING 832 SEALANT; PLACING FIVE SMALL BEADS ON MALE THREADS, JUST ABOVE FIRST THREAD.
4. DIMENSIONS MAY VARY ±1/2" (13mm).

| | | | |
|-------------------------|----------------|---|----------------------------|
| | | 1455 KLEPPE LANE SPARKS, NEVADA 89431 (775) 359-4712 FAX (775) 359-7424 E-MAIL: HAWS@HAWSCO.COM WEBSITE: WWW.HAWSCO.COM | |
| ECN NO. REVISED PER BY: | ECN: 5279 VWC | MODEL(S) | 8130 |
| DRAWN: TRF | DATE: 5/21/91 | CHK'D: VWC | DRENCH SHOWER |
| APPROVED: FV | DATE: 02/16/18 | SCALE: NA | DRAWING TYPE: INSTALLATION |
| | | SIZE: A | SHEET 2 OF 2 |
| | | PART NUMBER | 0002080129.D |
| | | REVISION | 15 |