



PROJECT		REF		REV	ITEM CODE	
LOCATION		DATE			PAGE	

SANITARY WARE SPECIFICATION SHEET

<p>Item Descriptions</p> <p>Dimensions</p> <p>Model</p> <p>Material/ Color</p> <p>Manufacturer</p> <p>Source</p> <p>Contact Tel/Fax</p> <p>E-mail</p> <p>Website</p>	<p>Starmix (Germany) High-speed compact hair dryer with 1.5M long hose and handy undulating nozzle; high air speed 170 km/h</p> <p>L280 x W182 x H293 mm</p> <p>TB-C1</p> <p>Aluminium anodised end caps plastic –</p> <p>ELECTROSTAR GmbH (Germany)</p> <p>Ka Shing Enterprises (H.K) Limited Mr. Ivan Lau / Mr. GilmanYuen</p> <p>(852) 2628-0661 / (852) 2490-2700 project@kashingehk.com www.kashingehk.com</p>	<p style="text-align: center;">Illustration/ Drawing</p> <div style="text-align: center;"> </div> <div style="text-align: center;"> </div>
<p>Sensationally fast and energy saving!</p> <p>The new hair dryer in a stylish design. The powerful engine and the optimized nozzle outlet ensure a high air speed (of 200 km / h) - decisive for the dry performance of a hair dryer - the hair is dry in record time. This saves energy costs, increases the flow in the bath and avoids congestion. The new generation of Highspeed Compact Class with the "Made in Germany" quality.</p> <p>With the possibility to mount the unit to the height adjustment H-C1, the hair dryer can be optimally adjusted to the "appropriate" body height. This is the optimal solution for children's, elderly and handicapped, to dry their hair in sports facilities, swimming pool, public space or fitness center.</p> <p>ATTENTION: When mounting the TH-C1 to an already existing height adjustment THH 1800 or THH 800, an adapter set (art. no. : 444185) is required</p> <div style="text-align: center;"> </div>		

* All information of the above is for the reference only. No prior notice is made if any changes.

Highspeed Compact hair dryers TB-C1 and TH-C1.

Hair dryers – the AirStars

Achieving great results with hair drying! The starmix AirStar hair dryers turn hair drying into a pampering experience. Even more flexible, quicker and gentle on the hair. Whether in bathrooms, sports centres or hotels – the rotating nozzle, the flexible, long hose and the comfortable height adjustment let the AirStars shine wherever they are used!

Fully operational! The new AirStar hair dryers with highspeed-power.



★ The highspeed generation

The Highspeed Compact-Class is raising the bar: superior performance, modern design, simple assembly and comfortable operation. With the starmix quality standard "Made in Germany". Experience the unbeatable performance for yourself.

Intelligent & safe:




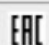


- No unnecessary operation thanks to sensor controlled safety switch-off
- Safeguards against overheating with temperature limiter and protection of the heating elements
- Flush-to-wall mounting/protected against misuse

Energy saving at full power:


- Energy efficient: Save electricity even at high levels of use
- No false activation
- Air outlet and powerful blower

Easy to service:


- 1 x assembly = many years of use
- Cleanable air inlet screen
- Impact resistant ABS plastic
- Integrated assembly plate
- High-quality, easy to clean surfaces

Technical specifications	
Rated power	800 Watt
Voltage/Frequency	230-240, 50/60 Volt/Hz
Type of motor	High speed motor
Heating power	400 Watt
Motor power	400 Watt
Air volume	18 l/s
Air velocity	170 km/h
Sound pressure	72 db (A)
Dimensions W/D/H	322/182/500 mm
Weight	3.40 kg
Protection type	IP22
Protection class	II
Test symbols	     

<p>No waste – no bacteria:</p> <ul style="list-style-type: none"> - No more annoying paper waste in sanitary facilities - Up to 80 % cost savings compared to paper towels and fabric towel roll - 100% recyclable - Drying air is warmed by waste heat from the motor 		<p>Energy saving at full power:</p> <ul style="list-style-type: none"> - Energy efficient: Save electricity even at high levels of use - No false activation - High speed hand drying in only 17 seconds thanks to optimal air outlet profile and powerful blower 	
<p>Double safety system:</p> <ul style="list-style-type: none"> - No unnecessary use thanks to sensor-controlled safety switch off - Protection against overheating with temperature limiter - Flush-to-wall mounting/protected against misuse-safe assembly 		<p>Design meets comfort:</p> <ul style="list-style-type: none"> - Maintenance-free motor - 1x assembly = many years of use - Cleanable air filters - Impact resistant ABS plastic - Integrated assembly plate - High quality and easy-clean surface 	
<p>Powerful and fast:</p> <p>The ergonomically designed air nozzle and optimized air flow concentrates the air flow for for effective high-speed hand drying in approx. 17 seconds.</p>		<p>Hard-wearing and safe:</p> <ul style="list-style-type: none"> - Flush-to-wall mounting to protect against misuse - Steel housing with 1.2 mm wall thickness - Safety screws for theft-proof attachment 	
<p>Height adjuster:</p> <p>Hair drying at a comfortable height – individually adjustable to suit the user's height.</p>		<p>Nozzle outlet:</p> <p>For quick hair drying and energy efficient use in an ergonomic design.</p>	



ABS plastic
Impact resistant



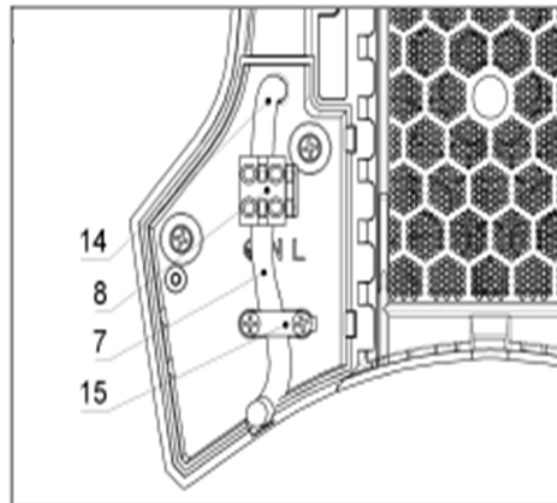
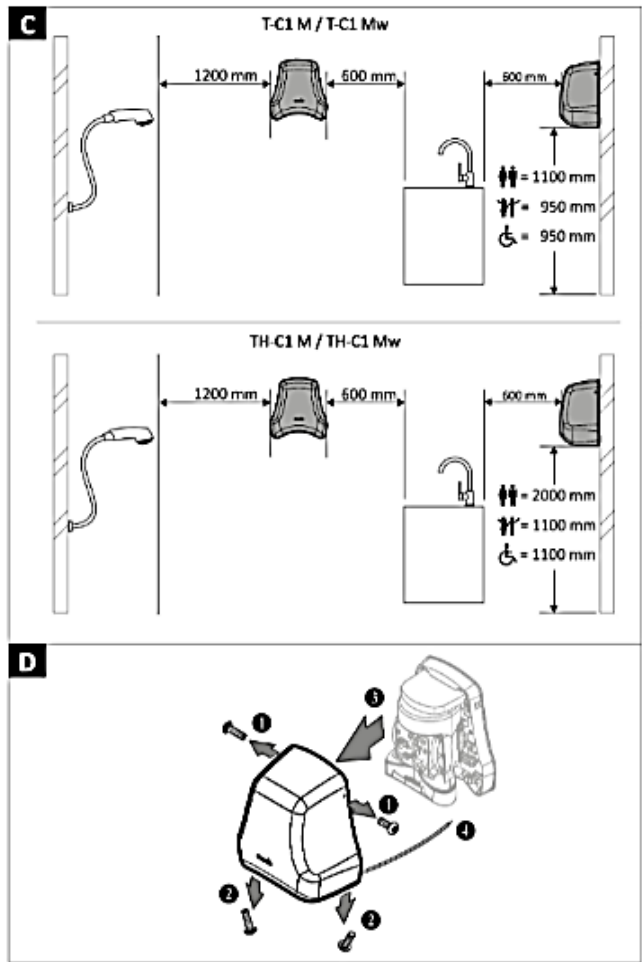
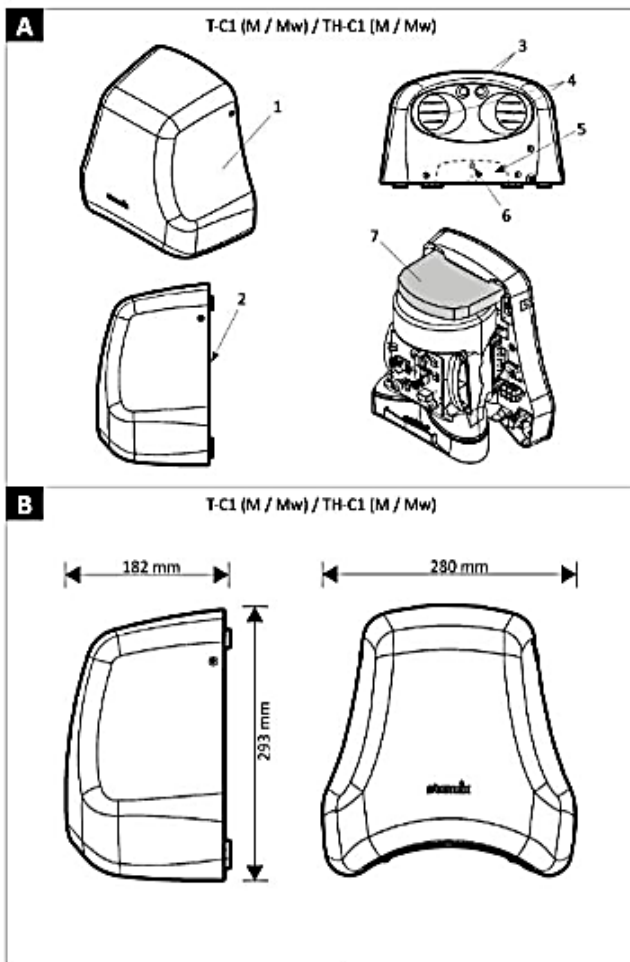
Design and technology
Innovative design and state-of-the-art technology – Made in Germany

Areas of application
Can be used in all public, private or commercial sanitary areas

High speed
Rapid and impressive drying results in 17 seconds

Safety
Sensor controlled safety switch-off and temperature limiter

Nozzle outlet
Ergonomically aligned



Explanation of areas of application for starmix products:



For public toilets (airports, railway stations, exhibition halls, etc.)



For industrial plants



For campsites, holiday apartments and holiday cottages



For children and wheelchair users (adjustable height)



For swimming pools and thermal baths (public and private)



For saunas and spas



For sports facilities and fitness clubs



For hotels and restaurants



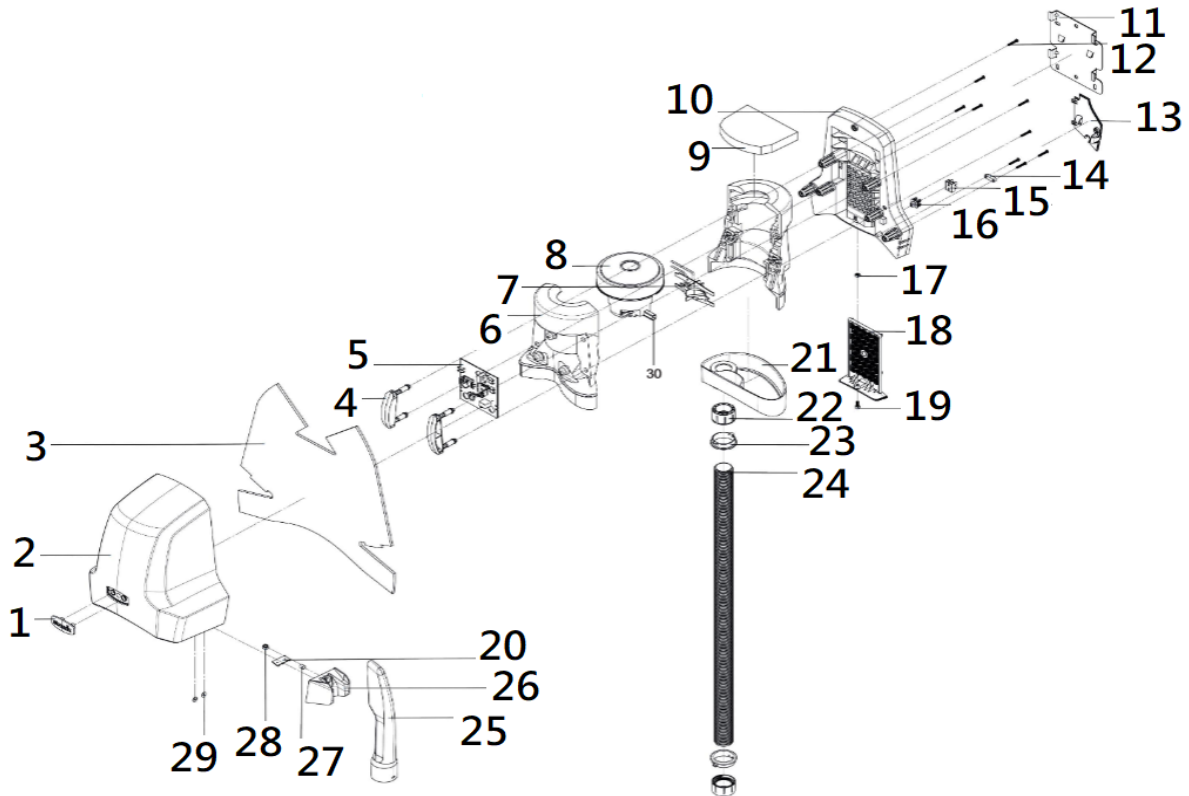
For offices and schools

CONTACT **starmix**



PROJECT		REF		REV	ITEM CODE	
LOCATION		DATE			PAGE	


SANITARY WARE SPECIFICATION SHEET



AirStar TB-C1				
Benennung Name		Bestell-Nr. Part-No.	Pos.-Nr. Pos.-No.	PG
Set Schalldämmung AirStar	Set sound insulation AirStar	443607	9	12
Set Wandhalter + Befestigungsset	Set wall fastening + fixing set	443614	11	12
Set Abdeckung AirStar	Set cover AirStar	443621	12 + 13	10
Set Einschubgitter AirStar	Set slide-in grid AirStar	443638	17 + 18	11
Set Reed-Kontakt Platine	Set reed contact plate	443645	19	16
Set Schraube AirStar	Set screw AirStar	443690	12	10
Set Haube AirStar TB-C1	Set hood AirStar TB-C1	443706	1 + 2 + 19 + 25 + 27 + 28 + 29	26
Set Grundplatte AirStar	Set base plate AirStar	443713	10 + 16	18
Set Heizung AirStar	Set heating AirStar	443720	7	17
Set Schlauch Zb+Handdüse TB-C1	Set hose assembly+hand nozzle TB-C1	443737	21 + 22 + 23 + 24 + 26	27
Set Elektronik AirStar TB-C1	Set electronic AirStar TB-C1	443775	5	25
Set Motor AirStar	Set motor AirStar	443669	6 + 8	37
Set Düseneinsatz AirStar TB-C1	Set nozzle insert AirStar TB-C1	443812	20	14
Set Kohlebürsten AirStar	Set carbon brushes AirStar	449685	30	19

Note: In order to locate the relevant spare part, please check the corresponding parts and part number in the drawing. Minimum order quantity will be required.

* All information of the above is for the reference only. No prior notice is made if any changes.

Type:	Wall-mounted (detachable)
Power cable with plug	
Easy wall mounting with assembly plate.	
Technical data:	
Rated operating voltage	230 V~, 50/60 Hz
Rated capacity	1200 Watt
Heat output	700 Watt
Engine output	500 Watt
Sound Pressure Level	72 dB(A)
Max. Air volume	18 l/s
Max. Air velocity	170 km/h
Ø Outlet temperature	
Test symbols:	
Type of switch :	Automatischer Düsenschalter The device is automatically switched on when the concentrator nozzle is removed from the fixture.
Type of motor:	High speed motor
Features:	<ul style="list-style-type: none"> - Thermal Fuse Safety - Temperature Safety Regulator - Safety power cable with plug - Easy wall mounting by assembly plate - wall attachable & handy assembly - flexible hose (1.5 m) - rotating concentrator nozzle
Material of housing:	Impact-resistant ABS plastic housing
Colour of housing:	white
Dimensions (WxHxD):	322 x 182 x 400 mm (incl. nozzle) 322 x 182 x 500 mm (incl. hose)
Weight:	3,4 kg