
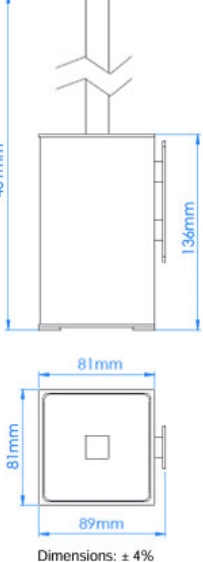




PROJECT		REF		REV	ITEM CODE	
LOCATION		DATE			PAGE	

SANITARY WARE SPECIFICATION SHEET

<p>Item Descriptions</p> <p>Mediclinics (Spain) Toilet brush holder made of AISI 304 stainless steel satin finish</p> <p>Dimensions</p> <p>L81 x W89 x H401 mm</p> <p>Model</p> <p>ES1003CS</p> <p>Material</p> <p>Stainless Steel AISI 304</p> <p>Manufacturer</p> <p>Mediclinics, S.A. (Spain)</p> <p>Source</p> <p>Ka Shing Enterprises (H.K.) Limited Mr. Ivan Lau / Mr. GilmanYuen (852) 2628-0661 / (852) 2490-2700</p> <p>Contact Tel/Fax</p> <p>(852) 2628-0661 / (852) 2490-2700</p> <p>E-mail</p> <p>project@kashingehk.com</p> <p>Website</p> <p>www.kashingehk.com</p>	<p>Illustration/ Drawing</p> 										
<p>General Description</p> <ul style="list-style-type: none"> * Square bathroom toilet brush set made of AISI 304 stainless steel, from Mediclinics' Harmonia series, ideal for your own bathroom, as well as public-use bathrooms such as in hotels or restaurants. * High-quality bathroom accessory, with a touch of sophistication. The materials with which this toilet brush set is made guarantee great functionality and durability. * Both hygienic and elegant, this toilet brush can be easily removed from its holder without any splashes. This is one of the essential bathroom accessories for keeping the bathroom hygienic and tidy. * Designed to suit any space and necessity, this toilet brush set is ideal for installing in your own home, as well as public-use bathrooms, such as in hotels, bars, restaurants, offices, etc. * The handle of the toilet brush is 26.5 cm in length which allows you to easily reach and clean the toilet bowl. * It has a square-shaped lid with an airtight seal that prevents the spread of bad odours and protects hands from getting dirty or splashed while cleaning the toilet. * The brush bristles are long, soft and dense, making them very effective in the removal of all kinds of stains and protecting the toilet from scratches. * Comes with stainless steel hardware to install on brick walls. <p>Components and materials</p> <ul style="list-style-type: none"> * ES1003B: toilet brush set made of AISI 304 stainless steel black finish. * ES1003C: toilet brush set made of AISI 304 stainless steel bright finish. * ES1003CS: toilet brush set made of AISI 304 stainless steel satin finish. * BODY: AISI 304 stainless steel, 1 mm thick. It allows wall mounting using a wall bracket. It has an inner plastic tray to prevent oxidation of the body. * WALL BRACKET: made of AISI 304 stainless steel, 2 mm tick. Allows quick removal of the brush holder for cleaning, without tools. * INNER RECIPIENT: to collect water and prevent body rust. Made of black thermoplastic. * HANDLE: made with square AISI 304 stainless steel rod. * LID: made of black square rubber seal, 2.0 mm thick. * BRUSHES: long, dense and soft that protect the toilet from scratches. Very effective in removing all stains. Attached to the handle through a threaded plastic piece. 	 <p>TOILET BRUSH HOLDER Reference: ES1003B</p> <p>TOILET BRUSH HOLDER Reference: ES1003C</p> <p>TOILET BRUSH HOLDER Reference: ES1003CS</p> <table border="1"> <tr> <td>Dimensions</td> <td>89 x 401 x 81 mm</td> </tr> <tr> <td>Body thickness</td> <td>1.0 mm</td> </tr> <tr> <td>Wall bracket thickness</td> <td>2.0 mm</td> </tr> <tr> <td>Lid thickness</td> <td>2.0 mm</td> </tr> <tr> <td>Net weight</td> <td>580 g</td> </tr> </table>	Dimensions	89 x 401 x 81 mm	Body thickness	1.0 mm	Wall bracket thickness	2.0 mm	Lid thickness	2.0 mm	Net weight	580 g
Dimensions	89 x 401 x 81 mm										
Body thickness	1.0 mm										
Wall bracket thickness	2.0 mm										
Lid thickness	2.0 mm										
Net weight	580 g										

Note:



* All information of the above is for reference only. No prior notice is made if any changes.