

SANITARY WARE SPECIFICATION SHEET

Model: 2102BFHKP2-WT-0 (S-trap)

Descriptions: American Standard (Thailand) "Tonic New Wave" Close-coupled watercloset with Integrated S-trap; ComfortClean Technology against stain, bacteria and germs ; tested on BS 3402:1969 & BS EN 997:2012 + A1:2015; test report J26116 & J24387B; 3/4.8 LPF in WELS Grade 1; Registration No. WC 21-0044

Dimensions: L1500 x W750 x H420 mm

Material / Color : Vitreous China / White

Manufacturer: American Standard (Thailand)

Outlet: Bottom outlet 220mm (convertible to 305mm)



(HKWA Approved)

WSD Certificate No: C20221163F (Inlet: PC-A1260)

WSD Certificate Expiry Date: 26 April 2027

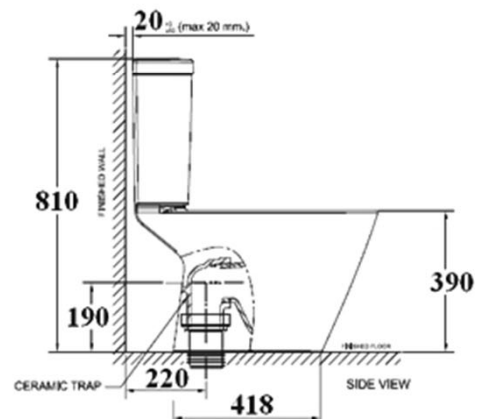
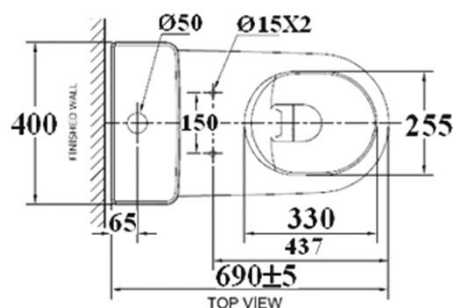
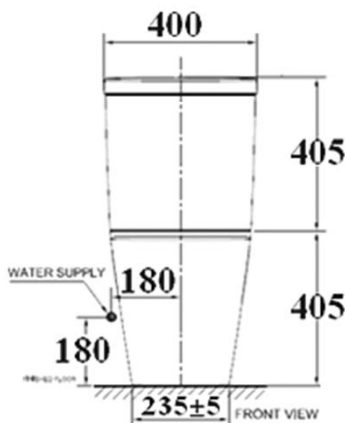
WSD Certificate No: C20230002F (Drop Flush Valve: PC- A2412)

WSD Certificate Expiry Date: 16 May 2027

Water Efficiency: Grade 1

WELS Registration No.: WC 21-0044

WELS Model: 2102BFHKP2-WT-0 + PC-A2412



* All information of the above is for the reference only. No prior notice is made if any changes.



Ka Shing Enterprise (H.K.) Ltd.

ROOM 1706 NEW TERRITORIES TSUEN WAN HO LIK CENTRE, 66A SHA TSUI ROAD
Tel: 26280661 Fax: 24902700
Email: project@kashingehk.com
Website: www.kashingehk.com

Ivan / Horace 26280661

E/ project@kashingehk.com

W/ <https://www.kashingehk.com/>



自願參與用水效益標籤計劃 - 水廁
Voluntary Water Efficiency Labelling Scheme - Water Closets

Certificate of Registration
註冊證書



茲證明
This is to certify that

將下列水廁在本計劃內註冊：
has registered the following water closet under this scheme :

牌子 / Brand : American Standard
型號 / Model : 2102BFHQP2-WT-0 + PC-A2412
種類 / Category : Close-coupled Suite
原產地 / Country or Region Origin : China (WC Pan, Cistern & Flushing Valve)

在用水效益標籤上展示的標誌
Symbolic Presentation on the Water Efficiency Label :  滴水點 *Water droplet(s)*
用水效益級別
Water Efficiency Grade : 1
全沖水量
Water Flush Volume (Full) : 4.8 公升/沖廁 *litres/flush*
低沖水量
Water Flush Volume (Reduced) : 3.0 公升/沖廁 *litres/flush*

簽發日期:
Date of Issue: 22 January 2021

 水務署
Water Supplies Department



水務署署長(張業駒代行)
for Director of Water Supplies

+ 上述水廁具額外節水功能，即：重用洗滌水作沖廁用途。
The above water closet is equipped with additional water saving feature, that is: re-use the water collected from wash basin for flushing purpose.

Job Reference		
Brand	American Standard	
Model	Tonic New Wave 2102 CC WC	
City	Year	Project Name
HK	2023	Ex-Hung Hom Gov. P. School
HK	2022	A&A works to No. 69 Jervois Street
HK	2022	Fong's Building
HK	2022	Commercial Development at KTIL240, 98 How Ming Street, Kwun Tong, Kowloon
HK	2022	LP12 Government Accommodation
HK	2022	Pooi To Primary School project
HK	2022	HKUST Renovation
HK	2021	PLK Youth Hostel Yuen Long
HK	2021	Lady Shaw Building CUHK
HK	2021	Tai Po Church
HK	2020	Renovation work for Kai Tak Commercial Building
HK	2019	Nina Tower Renovation
HK	2019	Renovation Works of Chiang's Building for CUHK
HK	2019	12 Soy Street, Mongkok, Kowloon
HK	2019	HKBU Catering Facilities
HK	2019	PLK School Phase 1
HK	2019	PLK Pak Tam Chung Holiday Camp
HK	2019	葵涌安全貨倉
HK	2019	City Garden Hotel Guestroom Renovation
HK	2019	Shek Kip Mei Phase 3, 6, & 7
HK	2019	French International School
HK	2019	122 Queen's Road
HK	2019	Immaculate Heart Of Mary Kindergarten
HK	2018	Fu Fai Commercial Building
HK	2018	Park Of West Kowloon For Toilet 2 & 3
HK	2018	South Tower for Student Residence Halls for HKBU
HK	2018	Renovation Works of Baptist University - Phase 1



Ka Shing Enterprise (H.K.) Ltd.

ROOM 1706 NEW TERRITORIES TSUEN WAN HO LIK CENTRE, 66A SHA TSUI ROAD
 Tel:26280661 Fax: 24902700
 Email: project@kashingehk.com
 Website: www.kashingehk.com

Ivan / Horace 26280661

E/ project@kashingehk.com

W/ <https://www.kashingehk.com/>



水務署
Water Supplies Department

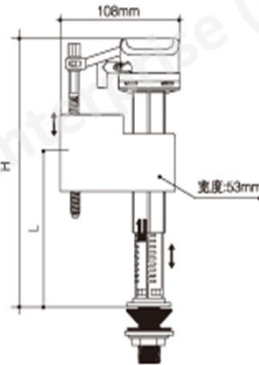
總部 Headquarters

香港灣仔告士打道七號入境事務大樓 48 樓

48/F, Immigration Tower, 7 Gloucester Road, Wan Chai, Hong Kong

本署檔號 : (4) in WSD 3321/2022 T/J(1111/2022)
Our ref.
來函檔號 :
Your ref.

電話 :
Tel.
傳真 : 2824 0578
Fax.



23 December 2022

**Approval of "AMERICAN STANDARD" Float Operated Valve
(General Acceptance No. C20221163F)**

Your letters ref. WRC/2780 and C-WSD/0977 dated 23 September 2022 and 29 November 2022 respectively refer.

Having considered the test report ref. J27711 issued on 13 May 2022 by Nutek Systems (HK) Limited, this Authority accepts that the fitting described below complies with, and its use when correctly installed does not contravene, the Waterworks Ordinance and Regulations.

Name of Manufacturer: Xiamen R&T Plumbing Technology Co Ltd

Country of Origin: the Mainland of China

Brand: American Standard

Details of Fitting: 5/8" Plastic float operated valve

Model: PC-A1260

Body Markings: Nil

Expiry Date: 26 April 2027



Proviso: As the fitting has not been tested for use in contact with water intended for human consumption, the fitting can only be used in flushing water plumbing systems.

This Authority hereby permits the use of the above fitting in flushing water plumbing systems subject to full adherence to Waterworks installation requirements. In particular, you are required to draw your customers' attention to the following requirement-

"The flushing volume of the flushing valve should be adjusted to suit the design of the toilet bowl so that wastes can be cleared effectively by a single flush."

"The fitting should be used within the range of working pressures specified by the manufacturer." AND

"The installed fitting should not result in backflow of water that will contaminate the flushing water supply."

A condition of this acceptance is that the fitting to be installed shall be replicas of the sample as certified by the testing agent mentioned above and without modifications. This acceptance may be withdrawn at any time if the standard of the fitting installed fails to meet that of the approved sample or if the fitting is found to be unsuitable for use in flushing water plumbing systems.

For the use of the fitting in any project, the General Acceptance Number of this letter must be quoted as a means of identification of acceptance of the fitting by this Authority.

Should you have any enquiries, please contact our Engineer Ms Winnie LO at tel. no. 3583 4086.

Yours faithfully,



(YAU Hau Yin)

for Director of Water Supplies

Encl.

c.c. WSD 3321/1/82] - without catalogue
ME/MC] - with soft copy only

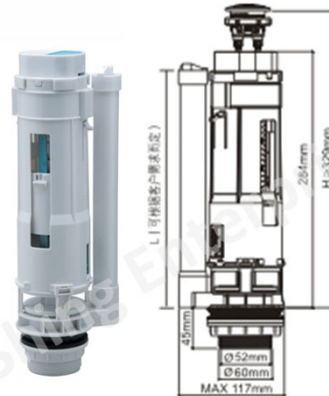


水務署
Water Supplies Department

總部 Headquarters
香港灣仔告士打道七號入境事務大樓 48 樓
48/F, Immigration Tower, 7 Gloucester Road, Wan Chai, Hong Kong

本署檔號 : (4) in WSD 3321/2022 T/J(1115/2022)
Our ref.
來函檔號 :
Your ref.

電話 :
Tel.
傳真 : 2824 0578
Fax.



4 January 2023

**Approval of “AMERICAN STANDARD” Flush Valve
(General Acceptance No. C20230002F)**

Your letters ref. WRC/2782 and C-WSD/0979 dated 23 September 2022 and 29 November 2022 respectively refer.

Having considered the test report ref. J27712 issued on 20 May 2022 by Nutek Systems (HK) Limited, this Authority accepts that the fitting described below complies with, and its use when correctly installed does not contravene, the Waterworks Ordinance and Regulations.

Name of Manufacturer: Xiamen R&T Plumbing Technology Co Ltd
Country of Origin: the Mainland of China
Brand: American Standard
Details of Fitting: 2" Plastic dual flush valve
Model: PC-A2412
Body Markings: Nil
Expiry Date: 16 May 2027

Proviso: As the fitting has not been tested for use in contact with water intended for human consumption, the fitting can only be used in flushing water plumbing system.

This Authority hereby permits the use of the above fitting in flushing water plumbing systems subject to full adherence to Waterworks installation requirements. In particular, you are required to draw your customers' attention to the following requirement-

"The flushing volume of the flushing valve should be adjusted to suit the design of the toilet bowl so that wastes can be cleared effectively by a single flush."

"The fitting should be used within the range of working pressures specified by the manufacturer." AND

"The installed fitting should not result in backflow of water that will contaminate the flushing water supply."

A condition of this acceptance is that the fitting to be installed shall be replicas of the sample as certified by the testing agent mentioned above and without modifications. This acceptance may be withdrawn at any time if the standard of the fitting installed fails to meet that of the approved sample or if the fitting is found to be unsuitable for use in flushing water plumbing systems.

For the use of the fitting in any project, the General Acceptance Number of this letter must be quoted as a means of identification of acceptance of the fitting by this Authority.

Should you have any enquiries, please contact our Engineer Ms Winnie LO at tel. no. 3583 4086.

Yours faithfully,



(YAU Hau Yin)

for Director of Water Supplies

Encl.

c.c. WSD 3321/1/82] - without catalogue
ME/MC] - with soft copy only